

C.I.P.**44 Rem. Mag. (carb)**

TAB. IV

Date 86-12-14

Country of Origin: US

Revision 20-11-10

Alternative Names: 44 Magnum - 44 Mag.

CARTRIDGE MAXI**Lengths**

L1 =
 L2 =
 L3 =
 L4 =
 L5 =
 L6 =

Case Head

R =
 R1 =
 R3 =
 E =
 E1 =
 e min =
 δ =
 f =
 β =

Powder Chamber

P1 =
 P2 =

Junction Cone

α =
 S =
 r1 min =
 r2 =

Collar

H1 =
 H2 =

Projectile

G1 =
 G2 =
 F =
 L3+G =

Pressures (Energies)**Miscellaneous Dimensions**

Fe ¹⁾ = 0.15
 delta L =

CHAMBER MINI**Lengths**

L1 =
 L2 =
 L3 ¹⁾ = 33.23

Breech

R ¹⁾ = 1.52
 R1 = 13.18
 R2 =
 R3 =
 r =

Powder Chamber

E =
 P1 ¹⁾ = 11.66
 P2 =

Junction Cone

α =
 S =
 r1 max =
 r2 =

Collar

H1 =
 H2 ¹⁾ = 11.63

Commencement of Rifling

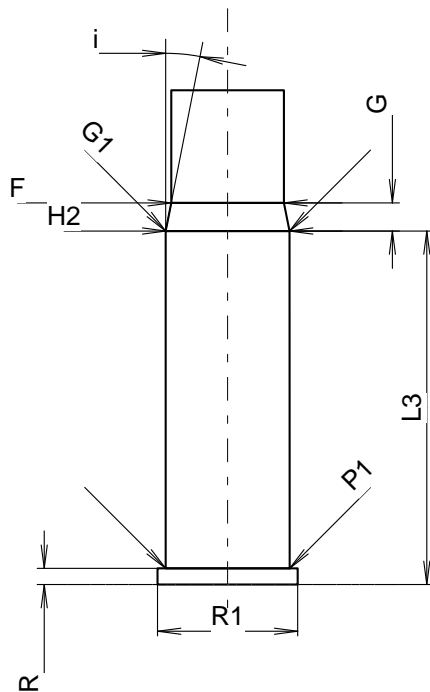
G1 ¹⁾* = 11.63
 G ¹⁾ = 2.65
 α l * =
 h =
 s =
 i ¹⁾* = 11°06'
 w =

Barrel

F ¹⁾* = 10.59
 Z ¹⁾ = 10.90

Grooves

b = 2.73
 N = 6
 u = 508.00
 Q = 90.65 mm²



Scale 1.41:1

Dimensions in << mm >>
 Dimensions and Tolerances for Proof Barrels
 see Appendix .

Notes: 1) Check for safety reasons
 * Basic dimensions