

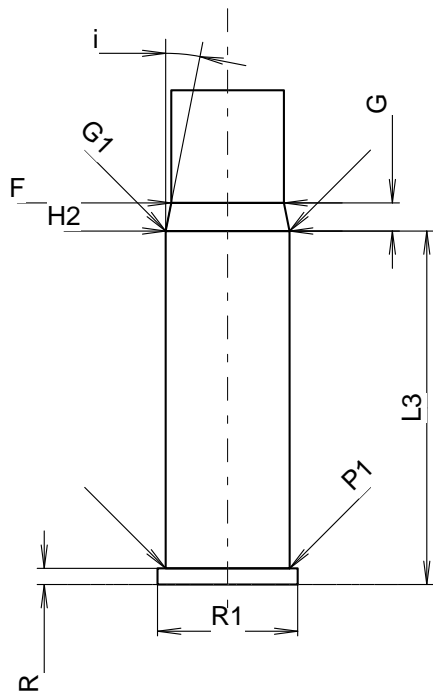
C.I.P.**44 Rem. Mag. (carb)**

TAB.	IV
Date	86-12-14
Révision	20-11-10

Pays d'origine: US

Marquage alternatif: 44 Magnum - 44 Mag.

	CARTOUCHE MAXI	CHAMBRE MINI
	Longueurs	Longueurs
	L1 =	L1 =
	L2 =	L2 =
	L3 =	L3 ¹⁾ = 33.23
	L4 =	
	L5 =	
	L6 =	
	Culot	Cuvette
	R =	R ¹⁾ = 1.52
	R1 =	R1 = 13.18
	R3 =	R2 =
	E =	R3 =
	E1 =	r =
	e min =	
	δ =	
	f =	
	β =	
	Chambre à poudre	Chambre à poudre
	P1 =	E =
	P2 =	P1 ¹⁾ = 11.66
		P2 =
	Cône de raccordement	Cône de raccordement
	α =	α =
	S =	S =
	r1 min =	r1 max =
	r2 =	r2 =
	Collet	Collet
	H1 =	H1 =
	H2 =	H2 ¹⁾ = 11.63
	Projectile	Prise de rayures
	G1 =	G1 ¹⁾ * = 11.63
	G2 =	G ¹⁾ = 2.65
	F =	$\alpha 1^*$ =
	L3+G =	h =
		s =
	Pressions (Énergies)	i ¹⁾ * = 11°06'
		w =
		Canon
		F ¹⁾ * = 10.59
		Z ¹⁾ = 10.90
		Rayures
		b = 2.73
		N = 6
		u = 508.00
		Q = 90.65 mm ²
	Autres indications	
	Fe ¹⁾ = 0.15	
	delta L =	
	Notes: 1) A' contrôler pour la sécurité * Dimensions de base	



Échelle 1.41:1

Dimensions en << mm >>
Dimensions et tolérances pour les canons
d'épreuve: Voyez Annexe .