

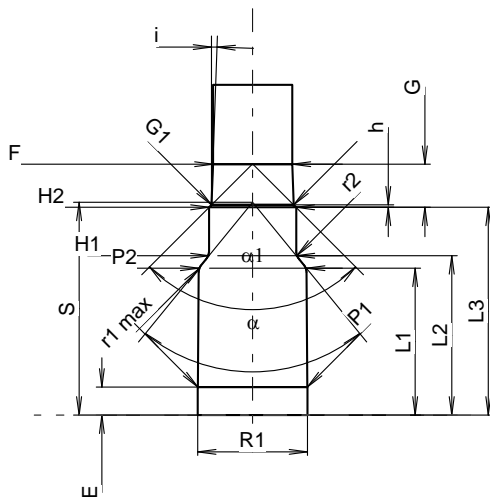
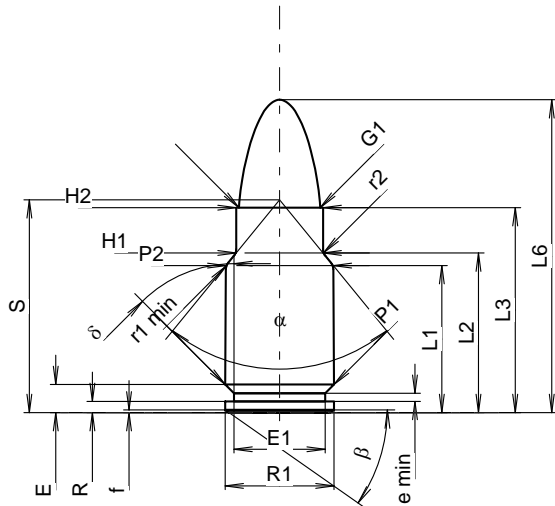
C.I.P.**9-45 VAC**

TAB. IV

Datum 21-04-07

Ursprungsland: FR

Revision



Maßstab 1.19:1

Maße in << mm >>
Maße und Toleranzen für Messläufe
siehe Anhang CR 1.

PATRONE MAXI**Längen**

L1 ¹⁾	=	16.35	-0.20
L2 ¹⁾	=	17.75	-0.20
L3 ¹⁾	=	22.80	
L4	=		
L5	=		
L6	=	34.78	

Hülsenboden

R	=	1.24	
R1	=	12.10	
R3	=		
E	=	3.12	
E1	=	10.15	
e min	=	0.90	
delta	=	45°	
f	=	0.30	
beta	=	35°	

Pulverkammer

P1	=	12.10	
P2 ¹⁾ *	=	11.94	-0.20

Schulterkonus

alpha [*]	=	78°30'	
S [*]	=	23.66	
r1 min	=	1.20	
r2	=	1.20	

Hülsenhals

H1 [*]	=	9.65	
H2 ¹⁾	=	9.65	

Geschoss

G1 ¹⁾	=	9.03	
G2	=		
F	=		
L3+G ¹⁾	=	27.59	

Drücke (Energien)**Mech. elektr. Wandler**

Pmax	=	2350 bar	
PK	=	2703 bar	
PE	=	3055 bar	
M	=	12.50	

Verschiedene Daten

Fe ¹⁾³⁾	=	0.20	
delta L	=		

Bemerkungen: 1) Kontrolle aus Sicherheitsgründen
3) Verschlussabstand an Schulter
* Grundmaße

PATRONELAGER MINI**Längen**

L1	=	16.33	
L2	=	17.72	
L3 ¹⁾	=	23.10	

Stoßboden

R	=	1.24	
R1	=	12.22	
R2	=		
R3	=		
r	=		

Pulverkammer

E	=	3.12	
P1 ¹⁾	=	12.15	
P2 [*]	=	11.98	

Schulterkonus

alpha ¹⁾ *	=	78°30'	
S [*]	=	23.66	
r1 max	=	1.20	
r2	=	1.50	

Hülsenhals

H1 [*]	=	9.70	
H2 ¹⁾	=	9.68	

Geschossübergang

G1 ¹⁾ *	=	9.13	
G ¹⁾	=	4.79	
alpha1 [*]	=	90°	
h	=	0.28	
s	=		
i ¹⁾ *	=	1°58'06"	
w	=		

Lauf

F ¹⁾ *	=	8.82	
Z ¹⁾	=	9.02	

Züge

b	=	2.49	
N	=	6	
u	=	250.00	
Q	=	62.61	mm ²