

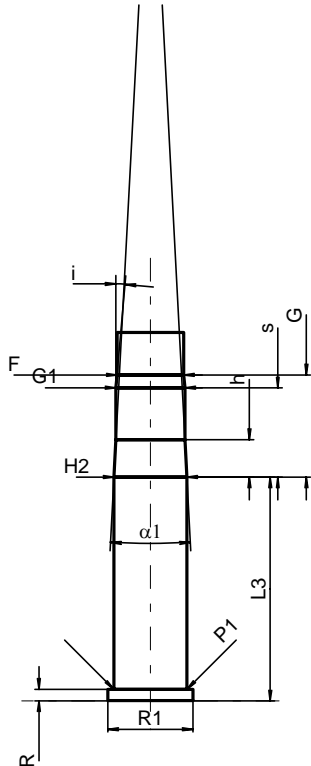
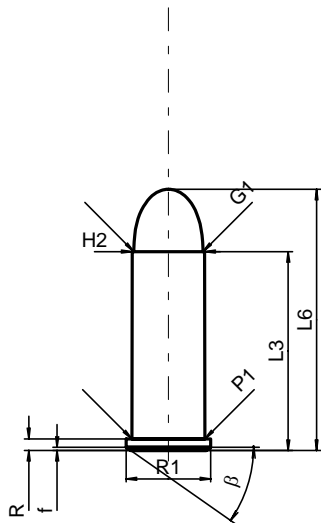
**C.I.P.****38 Long Colt**

Ursprungsland: US

TAB. IV

Datum 84-06-14

Revision 00-06-07



Maßstab 1:1

Maße in << mm >>  
Maße und Toleranzen für Messläufe  
siehe Anhang CR 1.

**PATRONE MAXI****Längen**

|                  |   |       |
|------------------|---|-------|
| L1               | = |       |
| L2               | = |       |
| L3 <sup>1)</sup> | = | 26.29 |
| L4               | = |       |
| L5               | = |       |
| L6               | = | 34.54 |

**Hülsenboden**

|                 |   |       |       |
|-----------------|---|-------|-------|
| R <sup>1)</sup> | = | 1.52  | -0.25 |
| R1              | = | 11.18 |       |
| R3              | = |       |       |
| E               | = |       |       |
| E1              | = |       |       |
| e min           | = |       |       |
| delta           | = |       |       |
| f               | = | 0.40  |       |
| beta            | = | 35°   |       |

**Pulverkammer**

|    |   |      |
|----|---|------|
| P1 | = | 9.63 |
| P2 | = |      |

**Schulterkonus**

|        |   |  |
|--------|---|--|
| alpha  | = |  |
| S      | = |  |
| r1 min | = |  |
| r2     | = |  |

**Hülsenhals**

|                  |   |      |
|------------------|---|------|
| H1               | = |      |
| H2 <sup>1)</sup> | = | 9.60 |

**Geschoss**

|                    |   |       |
|--------------------|---|-------|
| G1 <sup>1)</sup>   | = | 9.12  |
| G2                 | = |       |
| F                  | = |       |
| L3+G <sup>1)</sup> | = | 39.80 |

**Drücke (Energien)****Mech. elektr. Wandler**

|      |   |          |
|------|---|----------|
| Pmax | = | 900 bar  |
| PK   | = | 1035 bar |
| PE   | = | 1170 bar |
| M    | = | 10.50    |

**Verschiedene Daten**

|                  |   |      |
|------------------|---|------|
| Fe <sup>1)</sup> | = | 0.25 |
| delta L          | = |      |

**PATRONENLAGER MINI****Längen**

|                  |   |       |
|------------------|---|-------|
| L1               | = |       |
| L2               | = |       |
| L3 <sup>1)</sup> | = | 29.59 |

**Stoßboden**

|                 |   |       |
|-----------------|---|-------|
| R <sup>1)</sup> | = | 1.52  |
| R1              | = | 11.28 |
| R2              | = |       |
| R3              | = |       |
| r               | = |       |

**Pulverkammer**

|                  |   |      |
|------------------|---|------|
| E                | = |      |
| P1 <sup>1)</sup> | = | 9.66 |
| P2               | = |      |

**Schulterkonus**

|        |   |  |
|--------|---|--|
| alpha  | = |  |
| S      | = |  |
| r1 max | = |  |
| r2     | = |  |

**Hülsenhals**

|                  |   |      |
|------------------|---|------|
| H1               | = |      |
| H2 <sup>1)</sup> | = | 9.63 |

**Geschossübergang**

|                   |   |       |
|-------------------|---|-------|
| G1 <sup>1)*</sup> | = | 9.11  |
| G <sup>1)</sup>   | = | 13.51 |
| alpha1*           | = | 6°    |
| h                 | = | 4.96  |
| s                 | = | 11.80 |
| i <sup>1)*</sup>  | = | 5°    |
| w                 | = |       |

**Lauf**

|                  |   |      |
|------------------|---|------|
| F <sup>1)*</sup> | = | 8.81 |
| Z <sup>1)</sup>  | = | 8.97 |

**Züge**

|   |   |                       |
|---|---|-----------------------|
| b | = | 3.05                  |
| N | = | 6                     |
| u | = | 406.00                |
| Q | = | 62.45 mm <sup>2</sup> |

Bemerkungen: 1) Kontrolle aus Sicherheitsgründen  
\* Grundmaße