

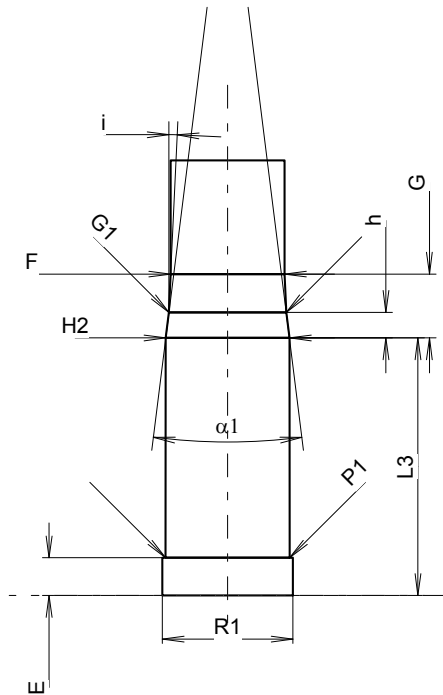
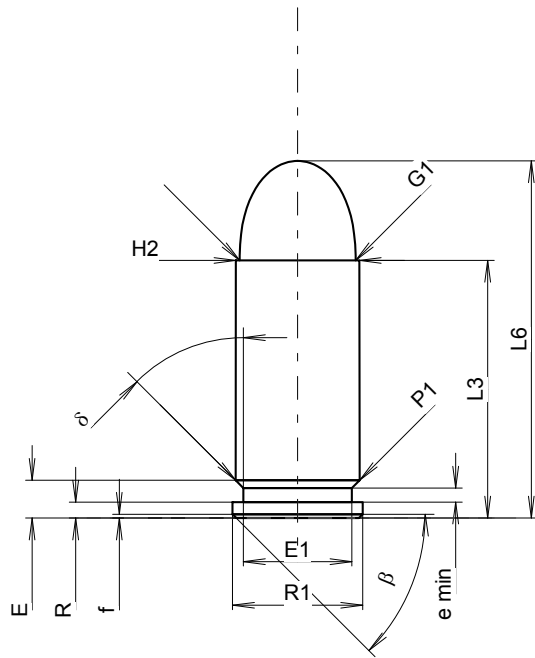
C.I.P.**9 mm Browning long**

Country of Origin: BE

TAB. IV

Date 84-06-14

Revision 08-09-23



Scale 1.69:1

CARTRIDGE MAXI**Lengths**

L1	=	
L2	=	
L3 ¹⁾	=	20.20
L4	=	
L5	=	
L6	=	28.00

Case Head

R ¹⁾	=	1.25	-0.25
R1	=	10.20	
R3	=		
E	=	2.96	
E1	=	8.50	
e min	=	1.10	
δ	=	45°	
f	=	0.30	
β	=	45°	

Powder Chamber

P1	=	9.72
P2	=	

Junction Cone

α	=	
S	=	
r1 min	=	
r2	=	

Collar

H1	=	
H2 ¹⁾	=	9.68

Projectile

G1 ¹⁾	=	9.09
G2	=	
F	=	
L3+G ¹⁾	=	25.20

Pressures (Energies)**Method Transducer**

Pmax	=	1650 bar
PK	=	1898 bar
PE	=	2145 bar
M	=	10.50

Miscellaneous Dimensions

Fe ¹⁾⁴⁾	=	0.30
delta L	=	

CHAMBER MINI**Lengths**

L1	=	
L2	=	
L3 ¹⁾	=	20.20

Breech

R ¹⁾	=	1.25
R1	=	10.25
R2	=	
R3	=	
r	=	

Powder Chamber

E	=	2.96
P1 ¹⁾	=	9.75
P2	=	

Junction Cone

α	=	
S	=	
r1 max	=	
r2	=	

Collar

H1	=	
H2 ¹⁾	=	9.70

Commencement of Rifling

G1 ¹⁾ *	=	9.20
G ¹⁾ *	=	5.00
α_1	=	14°15'
h*	=	2.00
s	=	
i ¹⁾	=	2°40'18"
w	=	

Barrel

F ¹⁾ *	=	8.92
Z ¹⁾	=	9.12

Grooves

b	=	3.76
N	=	6
u	=	400.00
Q	=	64.82 mm ²

Dimensions in << mm >>
 Dimensions and Tolerances for Proof Barrels
 see Appendix CR 1.

Notes: 1) Check for safety reasons
 4) Headspace on Rim
 * Basic dimensions