

C.I.P.

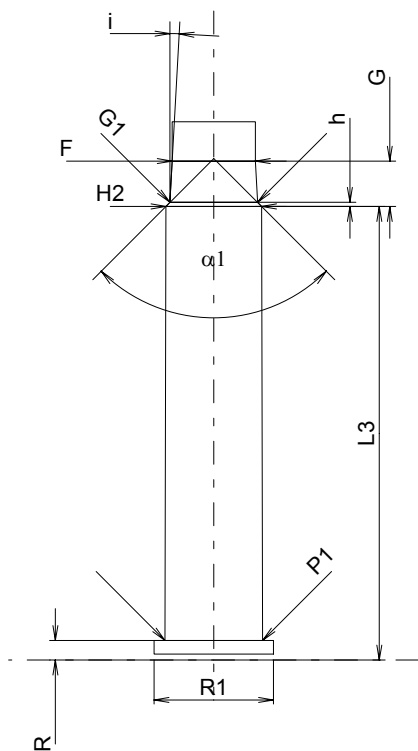
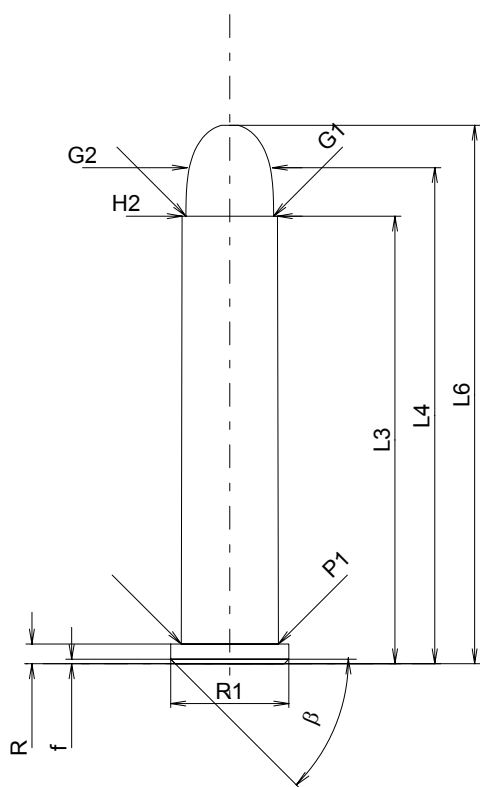
5,75 Velodog

Country of Origin: FR

TAB. IV

Date 84-06-14

Revision 00-06-07



Scale 2:1

Dimensions in << mm >>
Dimensions and Tolerances for Proof Barrels
see Appendix CR 1.

CARTRIDGE MAXI

Lengths

L1	=	
L2	=	
L3 ¹⁾	=	29.60
L4	=	32.80
L5	=	
L6	=	35.60

Case Head

R ¹⁾	=	1.30	-0.25
R1	=	7.80	
R3	=		
E	=		
E1	=		
e min	=		
δ	=		
f	=	0.30	
β	=	45°	

Powder Chamber

P1	=	6.42
P2	=	

Junction Cone

α	=	
S	=	
r1 min	=	
r2	=	

Collar

H1	=	
H2 ¹⁾	=	6.30

Projectile

G1 ¹⁾	=	5.79
G2	=	5.65
F	=	
L3+G ¹⁾	=	32.60

Pressures (Energies)

Method Transducer

Pmax	=	680 bar
PK	=	782 bar
PE	=	884 bar
M	=	17.50

Miscellaneous Dimensions

Fe ¹⁾	=	0.25
delta L	=	

CHAMBER MINI

Lengths

L1	=	
L2	=	
L3 ¹⁾	=	30.00

Breech

R ¹⁾	=	1.30
R1	=	7.90
R2	=	
R3	=	
r	=	

Powder Chamber

E	=	
P1 ¹⁾	=	6.45
P2	=	

Junction Cone

α	=	
S	=	
r1 max	=	
r2	=	

Collar

H1	=	
H2 ¹⁾	=	6.33

Commencement of Rifling

G1 ^{1)*}	=	5.80
G ^{1)*}	=	3.00
α_1	=	90°
h*	=	0.27
s	=	
i ¹⁾	=	3°08'42"
w	=	

Barrel

F ^{1)*}	=	5.50
Z ¹⁾	=	5.75

Grooves

b	=	2.30
N	=	4
u	=	454.00
Q	=	24.94 mm ²

Notes: 1) Check for safety reasons
* Basic dimensions