

C.I.P.

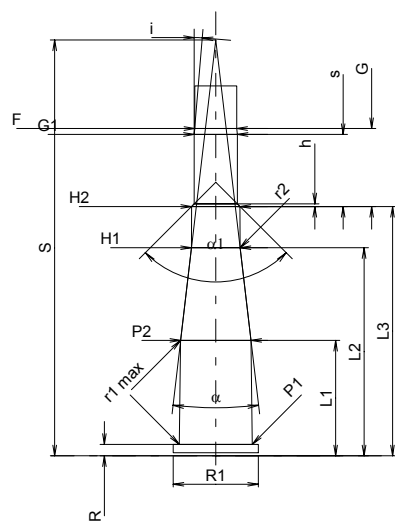
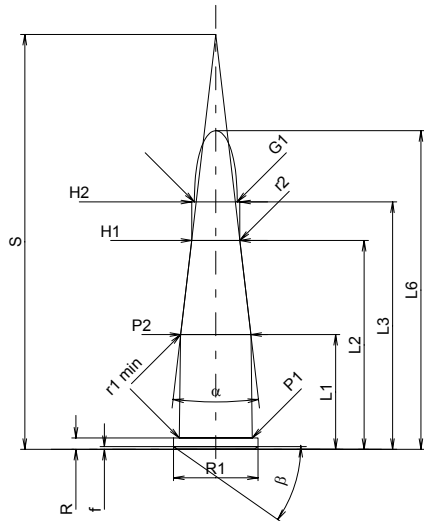
22 Rem. Jet Mag.

Country of Origin: US

TAB. IV

Date 84-06-14

Revision 00-06-07



Scale 1:1

Dimensions in << mm >>
Dimensions and Tolerances for Proof Barrels
see Appendix CR 1.

CARTRIDGE MAXI

Lengths

L1	=	15.19
L2	=	27.62
L3 ¹⁾	=	32.72
L4	=	
L5	=	
L6	=	42.14

Case Head

R ¹⁾	=	1.50	-0.25
R1	=	11.18	
R3	=		
E	=		
E1	=		
e min	=		
δ	=		
f	=	0.38	
β	=	35°	

Powder Chamber

P1	=	9.65
P2*	=	9.29

Junction Cone

α*	=	13°21'
S*	=	54.88
r1 min	=	0.76
r2	=	2.54

Collar

H1*	=	6.38
H2 ¹⁾	=	6.38

Projectile

G1 ¹⁾	=	5.65
G2	=	
F	=	
L3+G1 ¹⁾	=	43.03

Pressures (Energies)

Method Transducer

Pmax	=	2550 bar
PK	=	2933 bar
PE	=	3315 bar
M	=	10.50

Miscellaneous Dimensions

Fe ¹⁾	=	0.25
delta L	=	

CHAMBER MINI

Lengths

L1	=	15.26
L2	=	27.52
L3 ¹⁾	=	32.97

Breech

R ¹⁾	=	1.52
R1	=	11.28
R2	=	
R3	=	
r	=	

Powder Chamber

E	=	
P1 ¹⁾	=	9.65
P2*	=	9.30

Junction Cone

α*	=	13°21'
S*	=	54.99
r1 max	=	0.76
r2	=	3.18

Collar

H1*	=	6.43
H2 ¹⁾	=	6.40

Commencement of Rifling

G1 ¹⁾ *	=	5.69
G ¹⁾	=	10.31
α1*	=	90°
h	=	0.35
s	=	9.53
i ¹⁾ *	=	4°45'
w	=	

Barrel

F ¹⁾ *	=	5.56
Z ¹⁾	=	5.65

Grooves

b	=	1.80
N	=	6
u	=	381.00
Q	=	24.77 mm ²

Notes: 1) Check for safety reasons
* Basic dimensions