

**C.I.P.****38 Special (carb)**

TAB. IV

Date 84-06-14

Country of Origin: US

Revision 95-05-10

**CARTRIDGE MAXI****CHAMBER MINI****Lengths**

L1 =  
 L2 =  
 L3 =  
 L4 =  
 L5 =  
 L6 =

**Lengths**

L1 =  
 L2 =  
 L3 <sup>1)</sup> = 29.54

**Case Head**

R =  
 R1 =  
 R3 =  
 E =  
 E1 =  
 e min =  
 δ =  
 f =  
 β =

**Breech**

R <sup>1)</sup> = 1.50  
 R1 = 11.28  
 R2 =  
 R3 =  
 r =

**Powder Chamber**

P1 =  
 P2 =

**Powder Chamber**

E =  
 P1 <sup>1)</sup> = 9.68  
 P2 =

**Junction Cone**

α =  
 S =  
 r1 min =  
 r2 =

**Junction Cone**

α =  
 S =  
 r1 max =  
 r2 =

**Collar**

H1 =  
 H2 =

**Collar**

H1 =  
 H2 <sup>1)</sup> = 9.65

**Projectile**

G1 =  
 G2 =  
 F =  
 L3+G =

**Commencement of Rifling**

G1 <sup>1)\*</sup> = 9.65  
 G <sup>1)</sup> = 3.77  
 α1 <sup>\*</sup> =  
 h =  
 s <sup>\*</sup> =  
 j <sup>1)\*</sup> = 6°30'  
 w =

**Pressures (Energies)****Method Transducer**

Pmax = 1500 bar  
 PK = 1725 bar  
 PE = 1950 bar  
 M = 12.50

**Barrel**

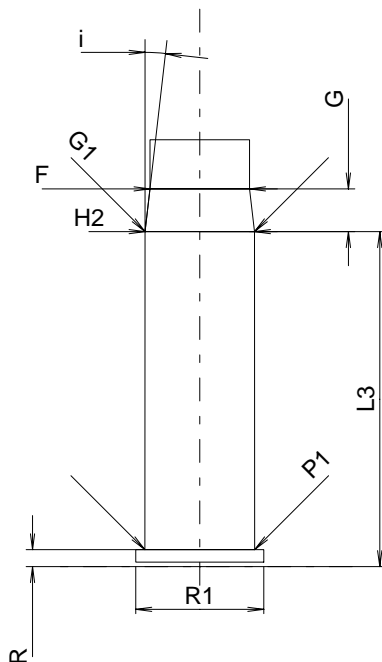
F <sup>1)\*</sup> = 8.79  
 Z <sup>1)</sup> = 9.02

**Grooves**

b = 2.67  
 N = 6  
 u = 476.00  
 Q = 62.55 mm<sup>2</sup>

**Miscellaneous Dimensions**

Fe <sup>1)</sup> = 0.15  
 delta L =



Scale 1.5:1

Dimensions in &lt;&lt; mm &gt;&gt;

Notes: 1) Check for safety reasons  
 \* Basic dimensions