

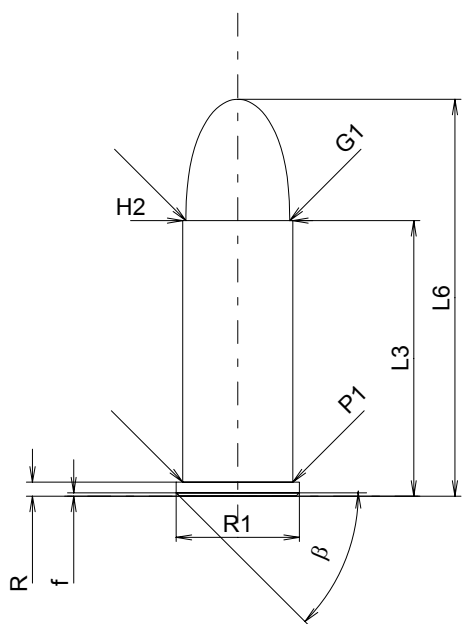
C.I.P.**380 Long**

TAB. IV

Date 84-06-14

Revision 00-06-07

Country of Origin: GB

**CARTRIDGE MAXI****Lengths**

L1	=	
L2	=	
L3 ¹⁾	=	24.30
L4	=	
L5	=	
L6	=	35.00

Case Head

R ¹⁾	=	1.25	-0.25
R1	=	10.85	
R3	=		
E	=		
E1	=		
e min	=		
δ	=		
f	=	0.30	
β	=	45°	

Powder Chamber

P1	=	9.70
P2	=	

Junction Cone

α	=	
S	=	
r1 min	=	
r2	=	

Collar

H1	=	
H2 ¹⁾	=	9.70

Projectile

G1 ¹⁾	=	9.15
G2	=	
F	=	
L3+G ¹⁾	=	26.79

Pressures (Energies)**Method Transducer**

Pmax	=	770 bar
PK	=	886 bar
PE	=	1001 bar
M	=	12.50

Miscellaneous Dimensions

Fe ¹⁾	=	0.25
delta L	=	

CHAMBER MINI**Lengths**

L1	=	
L2	=	
L3 ¹⁾	=	24.50

Breech

R ¹⁾	=	1.25
R1	=	10.90
R2	=	
R3	=	
r	=	

Powder Chamber

E	=	
P1 ¹⁾	=	9.75
P2	=	

Junction Cone

α	=	
S	=	
r1 max	=	
r2	=	

Collar

H1	=	
H2 ¹⁾	=	9.73

Commencement of Rifling

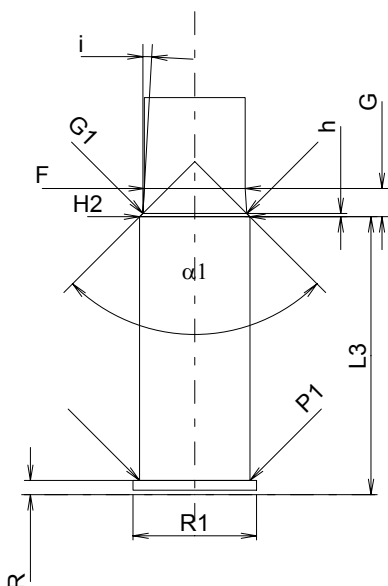
G1 ^{1)*}	=	9.15
G ^{1)*}	=	2.49
α1	=	90°
h*	=	0.29
s	=	
i ¹⁾	=	3°15'06"
w	=	

Barrel

F ^{1)*}	=	8.90
Z ¹⁾	=	9.13

Grooves

b	=	2.40
N	=	6
u	=	500.00
Q	=	63.89 mm ²



Scale 1.5:1

Dimensions in << mm >>
Dimensions and Tolerances for Proof Barrels
see Appendix CR 1.

Notes: 1) Check for safety reasons
* Basic dimensions