

C.I.P.

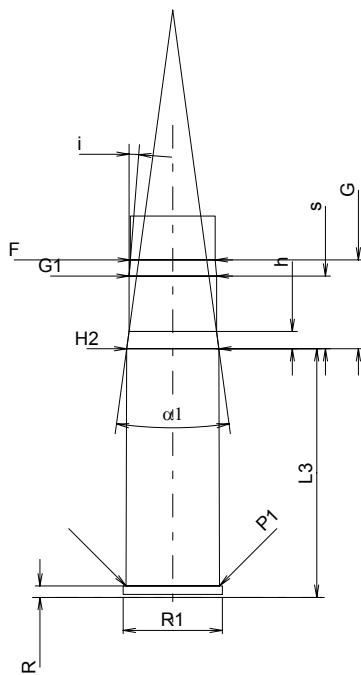
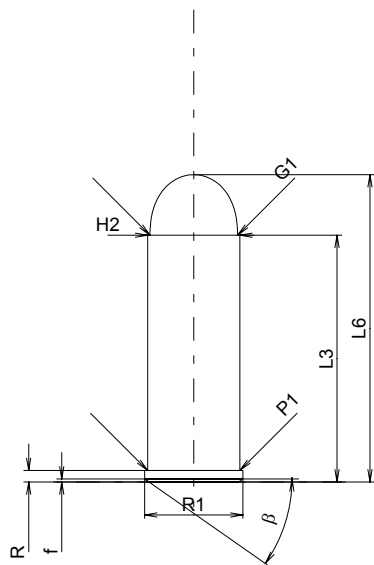
45 Colt

Country of Origin: US

TAB. IV

Date 91-02-20

Revision 00-06-07



Scale 1:1

Dimensions in << mm >>
Dimensions and Tolerances for Proof Barrels
see Appendix CR 1.

CARTRIDGE MAXI**Lengths**

L1	=	
L2	=	
L3 ¹⁾	=	32.64
L4	=	
L5	=	
L6	=	40.64

Case Head

R ¹⁾	=	1.52	-0.25
R1	=	13.00	
R3	=		
E	=		
E1	=		
e min	=		
delta	=		
f	=	0.40	
beta	=	35°	

Powder Chamber

P1	=	12.19
P2	=	

Junction Cone

alpha	=	
S	=	
r1 min	=	
r2	=	

Collar

H1	=	
H2 ¹⁾	=	12.19

Projectile

G1 ¹⁾	=	11.58
G2	=	
F	=	
L3+G ¹⁾	=	44.38

Pressures (Energies)**Method Transducer**

Pmax	=	1100 bar
PK	=	1265 bar
PE	=	1430 bar
M	=	12.50

Miscellaneous Dimensions

Fe ¹⁾	=	0.25
delta L	=	

CHAMBER MINI**Lengths**

L1	=	
L2	=	
L3 ¹⁾	=	32.89

Breech

R ¹⁾	=	1.52
R1	=	13.11
R2	=	
R3	=	
r	=	

Powder Chamber

E	=	
P1 ¹⁾	=	12.37
P2	=	

Junction Cone

alpha	=	
S	=	
r1 max	=	
r2	=	

Collar

H1	=	
H2 ¹⁾	=	12.19

Commencement of Rifling

G1 ¹⁾ *	=	11.57
G ¹⁾	=	11.74
alpha1 *	=	15°30'
h	=	2.28
s	=	9.60
i ¹⁾ *	=	4°34'59"
w	=	

Barrel

F ¹⁾ *	=	11.23
Z ¹⁾	=	11.43

Grooves

b	=	3.96
N	=	6
u	=	406.00
Q	=	101.48 mm ²

Notes: 1) Check for safety reasons
* Basic dimensions