

# C.I.P.

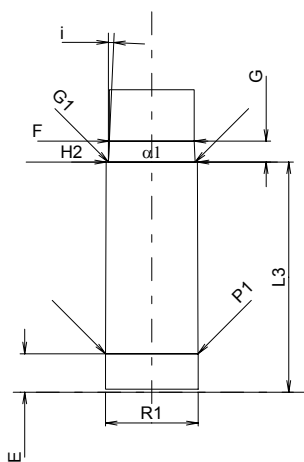
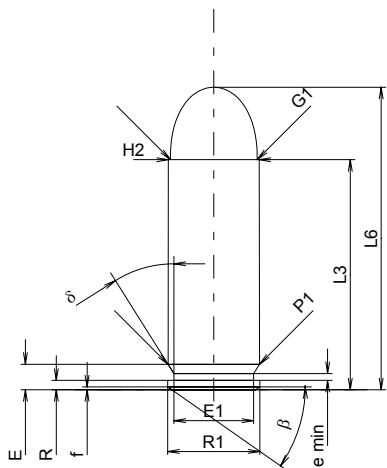
# 45 Win. Mag.

Country of Origin: US

TAB. IV

Date 84-06-14

Revision 00-06-07



### CARTRIDGE MAXI

#### Lengths

L1	=		
L2	=		
L3 <sup>1)</sup>	=	30.43	-0.25
L4	=		
L5	=		
L6	=	40.01	

#### Case Head

R	=	1.24	
R1	=	12.19	
R3	=		
E	=	3.38	
E1	=	10.54	
e min	=	0.90	
delta	=	32°	
f	=	0.38	
beta	=	35°	

#### Powder Chamber

P1	=	12.10	
P2	=		

#### Junction Cone

alpha	=		
S	=		
r1 min	=		
r2	=		

#### Collar

H1	=		
H2 <sup>1)</sup>	=	12.01	

#### Projectile

G1 <sup>1)</sup>	=	11.48	
G2	=		
F	=		
L3+G <sup>1)</sup>	=	33.20	

#### Pressures (Energies)

##### Method Transducer

Pmax	=	2750 bar	
PK	=	3163 bar	
PE	=	3575 bar	
M	=	17.50	

#### Miscellaneous Dimensions

Fe <sup>1)</sup>	=	0.30	
delta L	=		

### CHAMBER MINI

#### Lengths

L1	=		
L2	=		
L3 <sup>1)</sup>	=	30.43	

#### Breech

R	=		
R1	=	12.24	
R2	=		
R3	=		
r	=		

#### Powder Chamber

E	=	5.08	
P1 <sup>1)</sup>	=	12.21	
P2	=		

#### Junction Cone

alpha	=		
S	=		
r1 max	=		
r2	=		

#### Collar

H1	=		
H2 <sup>1)</sup>	=	12.04	

#### Commencement of Rifling

G1 <sup>1)*</sup>	=	11.48	
G <sup>1)</sup>	=	2.77	
alpha1 <sup>*</sup>	=	180°	
h	=		
s	=		
i <sup>1)*</sup>	=	2°34'59"	
w	=		

#### Barrel

F <sup>1)*</sup>	=	11.23	
Z <sup>1)</sup>	=	11.43	

#### Grooves

b	=	3.73	
N	=	6	
u	=	406.00	
Q	=	101.33	mm <sup>2</sup>

Scale 1:1

Dimensions in << mm >>  
Dimensions and Tolerances for Proof Barrels  
see Appendix CR 1.

Notes: 1) Check for safety reasons  
\* Basic dimensions