

C.I.P.

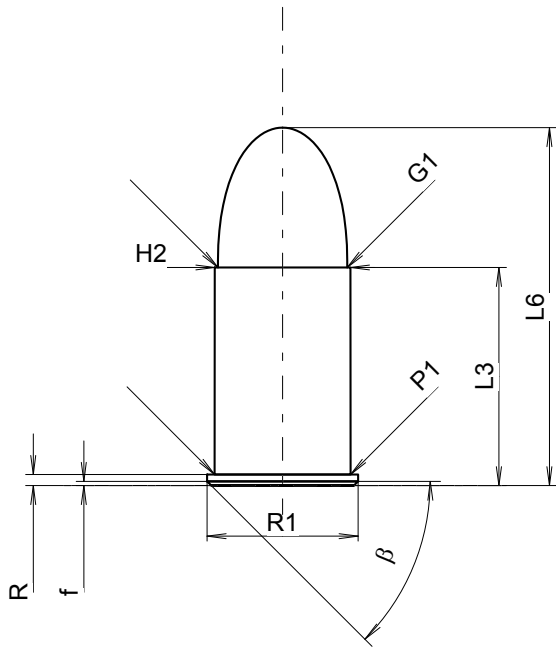
455 MK II

TAB. IV

Date 84-06-14

Country of Origin: GB

Revision 07-05-14



CARTRIDGE MAXI

CHAMBER MINI

Lengths

Lengths

L1	=	
L2	=	
L3 ¹⁾	=	19.50
L4	=	
L5	=	
L6	=	32.00

L1	=	
L2	=	
L3 ¹⁾	=	20.00

Case Head

Breech

R ¹⁾	=	1.00	-0.25
R1	=	13.50	
R3	=		
E	=		
E1	=		
e min	=		
delta	=		
f	=	0.38	
beta	=	45°	

R ¹⁾	=	1.00
R1	=	13.55
R2	=	
R3	=	
r	=	

Powder Chamber

Powder Chamber

P1	=	12.15
P2	=	

E	=	
P1 ¹⁾	=	12.20
P2	=	

Junction Cone

Junction Cone

alpha	=	
S	=	
r1 min	=	
r2	=	

alpha	=	
S	=	
r1 max	=	
r2	=	

Collar

Collar

H1	=	
H2 ¹⁾	=	12.14

H1	=	
H2 ¹⁾	=	12.16

Projectile

Commencement of Rifling

G1 ¹⁾	=	11.57
G2	=	
F	=	
L3+G ¹⁾	=	23.15

G1 ¹⁾ *	=	11.58
G ¹⁾ *	=	3.65
alpha1	=	20°
h*	=	1.65
s	=	
i ¹⁾	=	4°
w	=	

Pressures (Energies)

Method Transducer

Pmax	=	900 bar
PK	=	1035 bar
PE	=	1170 bar
M	=	7.50

Barrel

F ¹⁾ *	=	11.30
Z ¹⁾	=	11.55

Miscellaneous Dimensions

Grooves

Fe ¹⁾⁴⁾	=	0.25
delta L	=	

b	=	3.80
N	=	7
u	=	500.00
Q	=	103.68 mm ²

Scale 1.48:1

Dimensions in << mm >>
Dimensions and Tolerances for Proof Barrels
see Appendix CR 1.

Notes: 1) Check for safety reasons
4) Headspace on Rim
* Basic dimensions