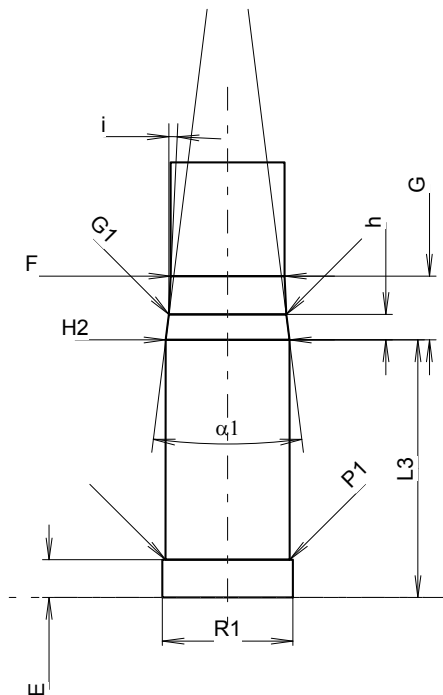
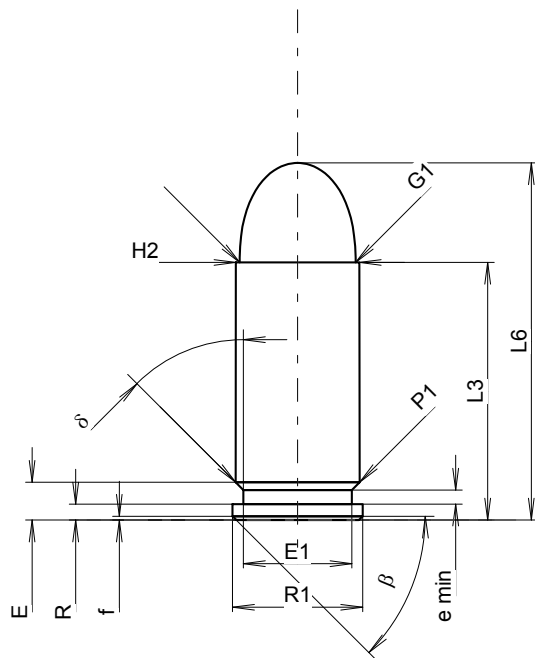


C.I.P.**9 mm Browning long**

TAB.	IV
Date	84-06-14
Révision	08-09-23

Pays d'origine: BE



Échelle 1.69:1

Dimensions en << mm >>
Dimensions et tolérances pour les canons
d'épreuve: Voyez Annexe CR 1.

CARTOUCHE MAXI**Longueurs**

L1	=	
L2	=	
L3 ¹⁾	=	20.20
L4	=	
L5	=	
L6	=	28.00

Culot

R ¹⁾	=	1.25	-0.25
R1	=	10.20	
R3	=		
E	=	2.96	
E1	=	8.50	
e min	=	1.10	
delta	=	45°	
f	=	0.30	
beta	=	45°	

Chambre à poudre

P1	=	9.72
P2	=	

Cône de raccordement

alpha	=	
S	=	
r1 min	=	
r2	=	

Collet

H1	=	
H2 ¹⁾	=	9.68

Projectile

G1 ¹⁾	=	9.09
G2	=	
F	=	
L3+G ¹⁾	=	25.20

Pressions (Énergies)**Méthode transducteur**

Pmax	=	1650 bar
PK	=	1898 bar
PE	=	2145 bar
M	=	10.50

Autres indications

Fe ¹⁾⁴⁾	=	0.30
delta L	=	

CHAMBRE MINI**Longueurs**

L1	=	
L2	=	
L3 ¹⁾	=	20.20

Cuvette

R ¹⁾	=	1.25
R1	=	10.25
R2	=	
R3	=	
r	=	

Chambre à poudre

E	=	2.96
P1 ¹⁾	=	9.75
P2	=	

Cône de raccordement

alpha	=	
S	=	
r1 max	=	
r2	=	

Collet

H1	=	
H2 ¹⁾	=	9.70

Prise de rayures

G1 ¹⁾ *	=	9.20
G ¹⁾ *	=	5.00
alpha 1	=	14°15'
h*	=	2.00
s	=	
i ¹⁾	=	2°40'18"
w	=	

Canon

F ¹⁾ *	=	8.92
Z ¹⁾	=	9.12

Rayures

b	=	3.76
N	=	6
u	=	400.00
Q	=	64.82 mm ²

Notes: 1) A' contrôler pour la sécurité
4) Feuillure sur la bourrelet
* Dimensions de base