

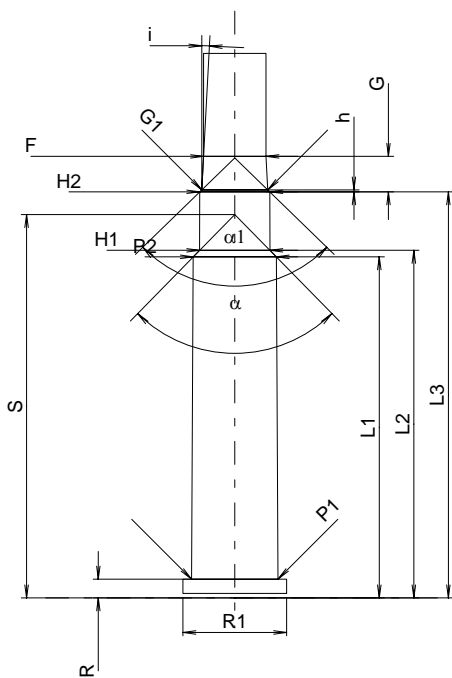
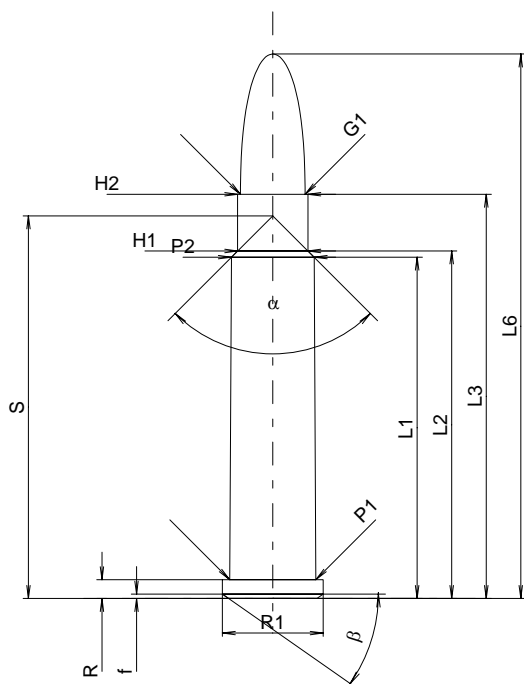
C.I.P.**22 PICRA**

TAB. IV

Date 99-03-15

Pays d'origine: CZ

Révision 00-06-07



Échelle 1.5:1

Dimensions en << mm >>
Dimensions et tolérances pour les canons
d'épreuve: Voyez Annexe CR 1.

CARTOUCHE MAXI**Longueurs**

L1 ¹⁾ *	=	30.09	-0.20
L2 ¹⁾ *	=	30.64	-0.20
L3 ¹⁾	=	35.64	
L4	=		
L5	=		
L6	=	48.00	

Culot

R	=	1.65	
R1	=	8.89	
R3	=		
E	=		
E1	=		
e min	=		
delta	=		
f	=	0.38	
beta	=	35°	

Chambre à poudre

P1	=	7.59	
P2 ¹⁾ *	=	7.29	-0.20

Cône de raccordement

alpha	=	90°	
S	=	33.73	
r1 min	=		
r2	=		

Collet

H1 *	=	6.19	
H2 ¹⁾	=	6.19	

Projectile

G1 ¹⁾	=	5.70	
G2	=		
F	=		
L3+G ¹⁾	=	38.77	

Pressions (Énergies)**Méthode transducteur**

Pmax	=	3200 bar	
PK	=	3680 bar	
PE	=	4160 bar	
M	=	17.50	

Autres indications

Fe ¹⁾	=	0.15	
delta L	=		

CHAMBRE MINI**Longueurs**

L1 *	=	30.07	
L2 *	=	30.64	
L3 ¹⁾	=	35.80	

Cuvette

R	=	1.65	
R1	=	9.14	
R2	=		
R3	=		
r	=		

Chambre à poudre

E	=		
P1 ¹⁾	=	7.62	
P2 *	=	7.32	

Cône de raccordement

alpha ¹⁾	=	88°59'09"	
S	=	33.80	
r1 max	=		
r2	=		

Collet

H1 *	=	6.20	
H2 ¹⁾	=	6.17	

Prise de rayures

G1 ¹⁾ *	=	5.82	
G ¹⁾ *	=	3.13	
alpha1	=	91°39'38"	
h	=	0.17	
s	=		
i ¹⁾	=	2°59'51"	
w	=		

Canon

F ¹⁾ *	=	5.51	
Z ¹⁾	=	5.64	

Rayures

b	=	1.73	
N	=	6	
u	=	406.00	
Q	=	24.53	mm ²

Notes: 1) A' contrôler pour la sécurité
* Dimensions de base