

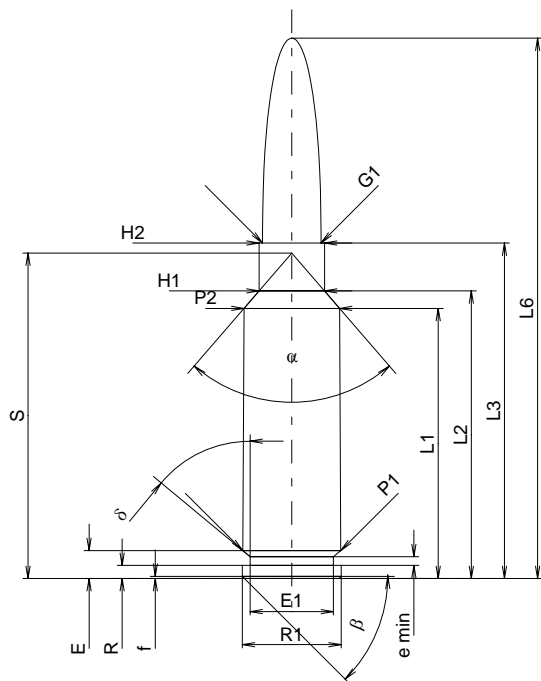
C.I.P.**260 PICRA**

TAB. IV

Date 99-03-15

Pays d'origine: CZ

Révision 00-06-07

**CARTOUCHE MAXI****Longueurs**

L1 ¹⁾ *	=	31.00	-0.20
L2 ¹⁾ *	=	33.00	-0.20
L3 ¹⁾	=	38.50	
L4	=		
L5	=		
L6	=	62.00	

Culot

R	=	1.50	
R1	=	11.35	
R3	=		
E	=	3.20	
E1	=	9.56	
e min	=	1.00	
delta	=	50°21'41"	
f	=	0.25	
beta	=	45°	

Chambre à poudre

P1	=	11.25	
P2 ¹⁾ *	=	10.96	-0.20

Cône de raccordement

alpha	=	81°43'09"	
S	=	37.34	
r1 min	=		
r2	=		

Collet

H1 *	=	7.50	
H2 ¹⁾	=	7.50	

Projectile

G1 ¹⁾	=	6.71	
G2	=		
F	=		
L3+G ¹⁾	=	49.43	

Pressions (Énergies)**Méthode transducteur**

Pmax	=	3900 bar	
PK	=	4485 bar	
PE	=	5070 bar	
M	=	17.50	

Autres indications

Fe ¹⁾	=	0.10	
delta L	=		

CHAMBRE MINI**Longueurs**

L1 *	=	31.00	
L2 *	=	33.05	
L3 ¹⁾	=	39.00	

Cuvette

R	=	1.50	
R1	=	11.40	
R2	=		
R3	=		
r	=		

Chambre à poudre

E	=		
P1 ¹⁾	=	11.30	
P2 *	=	11.00	

Cône de raccordement

alpha ¹⁾	=	80°58'19"	
S	=	37.44	
r1 max	=	0.50	
r2	=	1.50	

Collet

H1 *	=	7.50	
H2 ¹⁾	=	7.50	

Prise de rayures

G1 ¹⁾ *	=	6.75	
G ¹⁾ *	=	10.93	
alpha1	=	89°14'28"	
h	=	0.38	
s *	=	5.20	
i ¹⁾	=	1°29'57"	
w	=		

Canon

F ¹⁾ *	=	6.45	
Z ¹⁾	=	6.70	

Rayures

b	=	3.50	
N	=	4	
u	=	200.00	
Q	=	34.52	mm ²

Échelle 1.15:1

Dimensions en << mm >>
Dimensions et tolérances pour les canons
d'épreuve: Voyez Annexe CR 1.

Notes: 1) A' contrôler pour la sécurité
* Dimensions de base