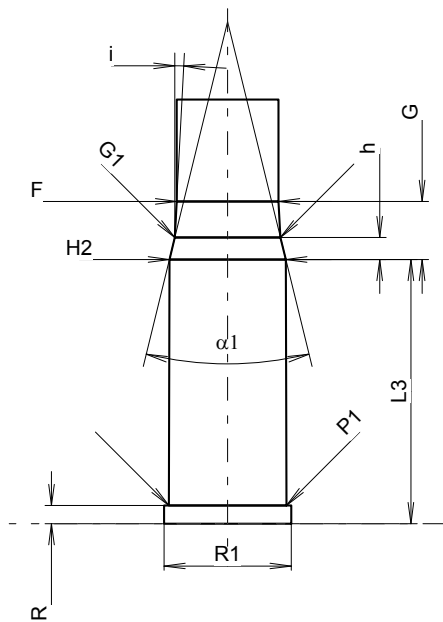
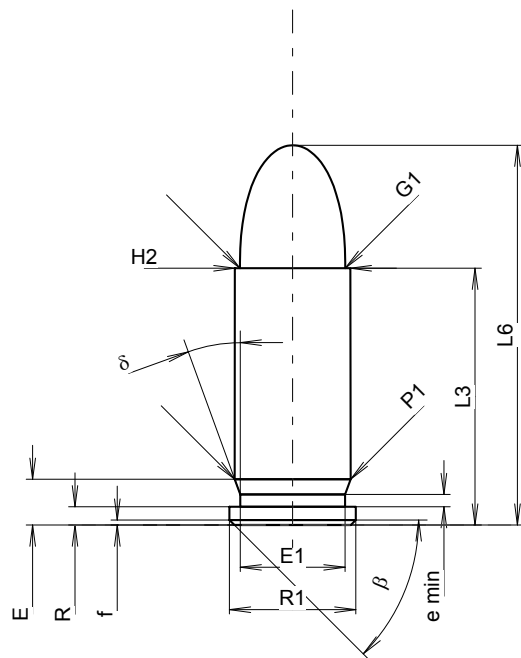


C.I.P.**6,35 Browning**

TAB.	IV
Date	84-06-14
Révision	00-06-07

Pays d'origine: BE

Marquage alternatif: 25 Auto(matic), 25 ACP



Échelle 2.18:1

CARTOUCHE MAXI**Longueurs**

L1	=	
L2	=	
L3 ¹⁾	=	15.55
L4	=	
L5	=	
L6	=	23.00

Culot

R ¹⁾	=	1.10	-0.25
R1	=	7.65	
R3	=		
E	=	2.77	
E1	=	6.35	
e min	=	0.75	
delta	=	20°	
f	=	0.30	
beta	=	45°	

Chambre à poudre

P1	=	7.02
P2	=	

Cône de raccordement

alpha	=	
S	=	
r1 min	=	
r2	=	

Collet

H1	=	
H2 ¹⁾	=	7.00

Projectile

G1 ¹⁾	=	6.38
G2	=	
F	=	
L3+G ¹⁾	=	19.07

Pressions (Énergies)**Méthode transducteur**

Pmax	=	1200 bar
PK	=	1380 bar
PE	=	1560 bar
M	=	9.00

Autres indications

Fe ¹⁾⁴⁾	=	0.30
delta L	=	

CHAMBRE MINI**Longueurs**

L1	=	
L2	=	
L3 ¹⁾	=	16.00

Cuvette

R ¹⁾	=	1.10
R1	=	7.70
R2	=	
R3	=	
r	=	

Chambre à poudre

E	=	
P1 ¹⁾	=	7.12
P2	=	

Cône de raccordement

alpha	=	
S	=	
r1 max	=	
r2	=	

Collet

H1	=	
H2 ¹⁾	=	7.05

Prise de rayures

G1 ¹⁾ *	=	6.40
G ¹⁾ *	=	3.52
alpha1	=	27°30'
h *	=	1.33
s	=	
i ¹⁾	=	3°00'20"
w	=	

Canon

F ¹⁾ *	=	6.17
Z ¹⁾	=	6.35

Rayures

b	=	2.25
N	=	6
u	=	254.00
Q	=	31.14 mm ²

Dimensions en << mm >>
Dimensions et tolérances pour les canons
d'épreuve: Voyez Annexe CR 1.

Notes: 1) A' contrôler pour la sécurité
4) Feuillure sur la bourrelet
* Dimensions de base