

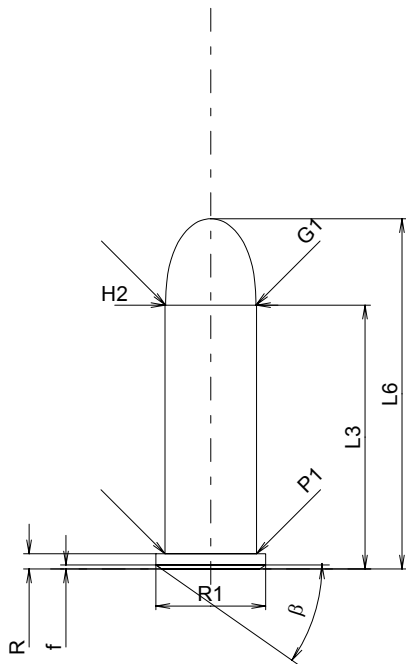
C.I.P.**32 Long Colt**

TAB. IV

Date 84-06-14

Pays d'origine: US

Révision 00-06-07

**CARTOUCHE MAXI****Longueurs**

L1	=	
L2	=	
L3 ¹⁾	=	23.27
L4	=	
L5	=	
L6	=	30.89

Colot

R ¹⁾	=	1.35	-0.25
R1	=	9.68	
R3	=		
E	=		
E1	=		
e min	=		
delta	=		
f	=	0.36	
beta	=	35°	

Chambre à poudre

P1	=	8.08
P2	=	

Cône de raccordement

alpha	=	
S	=	
r1 min	=	
r2	=	

Collet

H1	=	
H2 ¹⁾	=	8.08

Projectile

G1 ¹⁾	=	7.97
G2	=	
F	=	
L3+G ¹⁾	=	25.84

Pressions (Énergies)**Méthode transducteur**

Pmax	=	1000 bar
PK	=	1150 bar
PE	=	1300 bar
M	=	12.50

Autres indications

Fe ¹⁾	=	0.25
delta L	=	

CHAMBRE MINI**Longueurs**

L1	=	
L2	=	
L3 ¹⁾	=	33.10

Cuvette

R ¹⁾	=	1.35
R1	=	9.78
R2	=	
R3	=	
r	=	

Chambre à poudre

E	=	
P1 ¹⁾	=	8.13
P2	=	

Cône de raccordement

alpha	=	
S	=	
r1 max	=	
r2	=	

Collet

H1	=	
H2 ¹⁾	=	8.13

Prise de rayures

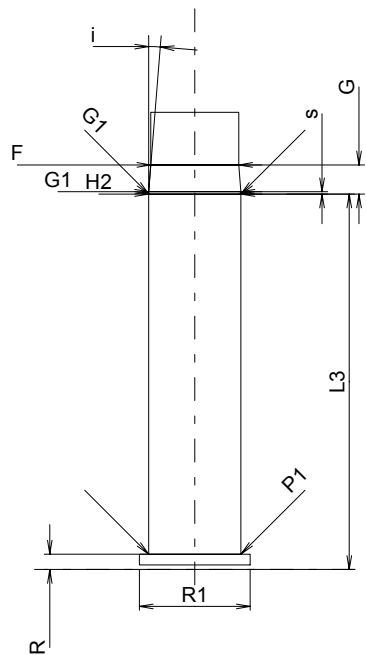
G1 ^{1)*}	=	8.13
G ¹⁾	=	2.57
alpha1 [*]	=	180°
h	=	
s	=	0.20
i ^{1)*}	=	4°34'59"
w	=	

Canon

F ^{1)*}	=	7.75
Z ¹⁾	=	7.90

Rayures

b	=	2.69
N	=	6
u	=	406.00
Q	=	48.39 mm ²



Échelle 1.5:1

Dimensions en << mm >>
Dimensions et tolérances pour les canons
d'épreuve: Voyez Annexe CR 1.

Notes: 1) A' contrôler pour la sécurité
* Dimensions de base