

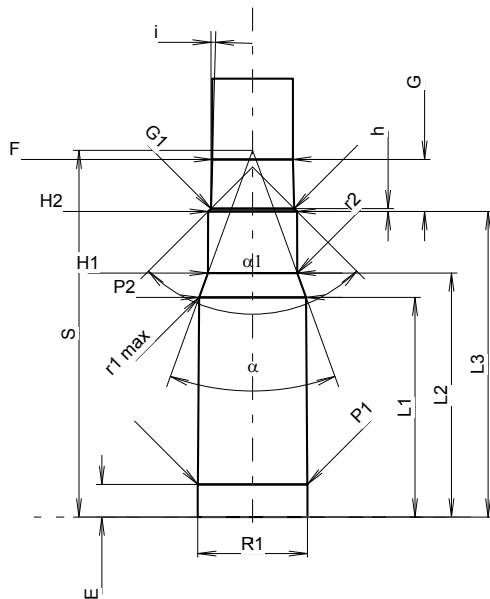
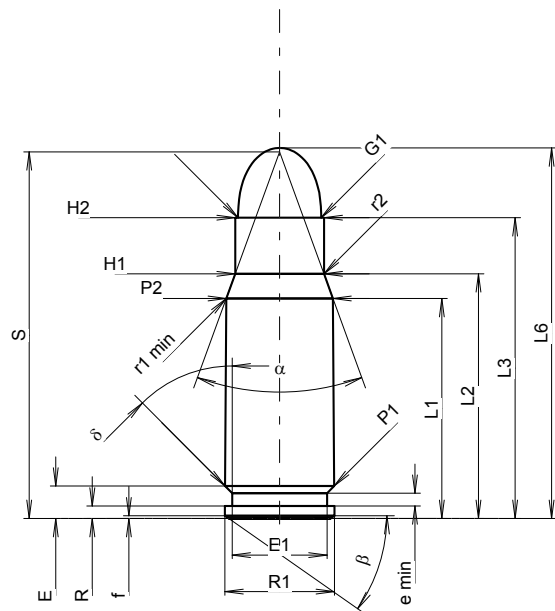
C.I.P.**357 Auto Mag.**

TAB. IV

Date 84-06-14

Révision 08-09-23

Pays d'origine: US



Échelle 1.21:1

CARTOUCHE MAXI**Longueurs**

L1 ¹⁾	=	24.13	-0.20
L2 ¹⁾	=	26.83	-0.20
L3 ¹⁾	=	33.00	
L4	=		
L5	=		
L6	=	40.65	

Culot

R	=	1.37	
R1	=	12.01	
R3	=		
E	=	3.56	
E1	=	10.40	
e min	=	1.40	
delta	=	45°	
f	=	0.30	
beta	=	35°	

Chambre à poudre

P1	=	11.97	
P2 ¹⁾ *	=	11.71	-0.20

Cône de raccordement

alpha *	=	40°	
S *	=	40.22	
r1 min	=	1.00	
r2	=	3.20	

Collet

H1 *	=	9.75	
H2 ¹⁾	=	9.75	

Projectile

G1 ¹⁾	=	9.12	
G2	=		
F	=		
L3+G ¹⁾	=	38.73	

Pressions (Énergies)**Méthode transducteur**

Pmax	=	2550 bar	
PK	=	2933 bar	
PE	=	3315 bar	
M	=	17.50	

Autres indications

Fe ¹⁾³⁾	=	0.15	
delta L	=		

CHAMBRE MINI**Longueurs**

L1	=	24.09	
L2	=	26.76	
L3 ¹⁾	=	33.50	

Cuvette

R	=	1.37	
R1	=	12.04	
R2	=		
R3	=		
r	=		

Chambre à poudre

E	=	3.56	
P1 ¹⁾	=	11.99	
P2 *	=	11.74	

Cône de raccordement

alpha ¹⁾ *	=	40°	
S *	=	40.22	
r1 max	=	1.00	
r2	=	3.20	

Collet

H1 *	=	9.80	
H2 ¹⁾	=	9.78	

Prise de rayures

G1 ¹⁾ *	=	9.13	
G ¹⁾	=	5.73	
alpha1 *	=	90°	
h	=	0.32	
s	=		
i ¹⁾ *	=	1°32'17"	
w	=		

Canon

F ¹⁾ *	=	8.84	
Z ¹⁾	=	9.09	

Rayures

b	=	2.69	
N	=	6	
u	=	457.00	
Q	=	63.42	mm ²

Dimensions en << mm >>
Dimensions et tolérances pour les canons
d'épreuve: Voyez Annexe CR 1.

Notes: 1) A' contrôler pour la sécurité
3) Feuillure sur la cone de raccordement
* Dimensions de base