

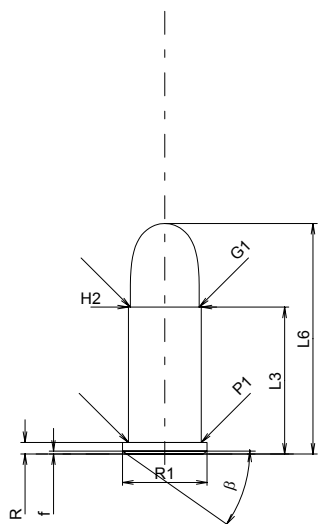
C.I.P.**38 Short Colt**

TAB. IV

Date 84-06-14

Pays d'origine: US

Révision 00-06-07

**CARTOUCHE MAXI****Longueurs**

L1	=	
L2	=	
L3 ¹⁾	=	19.43
L4	=	
L5	=	
L6	=	30.48

Culot

R ¹⁾	=	1.52	-0.25
R1	=	11.18	
R3	=		
E	=		
E1	=		
e min	=		
δ	=		
f	=	0.38	
β	=	35°	

Chambre à poudre

P1	=	9.63
P2	=	

Cône de raccordement

α	=	
S	=	
r1 min	=	
r2	=	

Collet

H1	=	
H2 ¹⁾	=	9.63

Projectile

G1 ¹⁾	=	9.12
G2	=	
F	=	
L3+G ¹⁾	=	32.94

Pressions (Énergies)**Méthode transducteur**

Pmax	=	900 bar
PK	=	1035 bar
PE	=	1170 bar
M	=	10.50

Autres indications

Fe ¹⁾	=	0.25
delta L	=	

CHAMBRE MINI**Longueurs**

L1	=	
L2	=	
L3 ¹⁾	=	29.59

Cuvette

R ¹⁾	=	1.52
R1	=	11.28
R2	=	
R3	=	
r	=	

Chambre à poudre

E	=	
P1 ¹⁾	=	9.66
P2	=	

Cône de raccordement

α	=	
S	=	
r1 max	=	
r2	=	

Collet

H1	=	
H2 ¹⁾	=	9.63

Prise de rayures

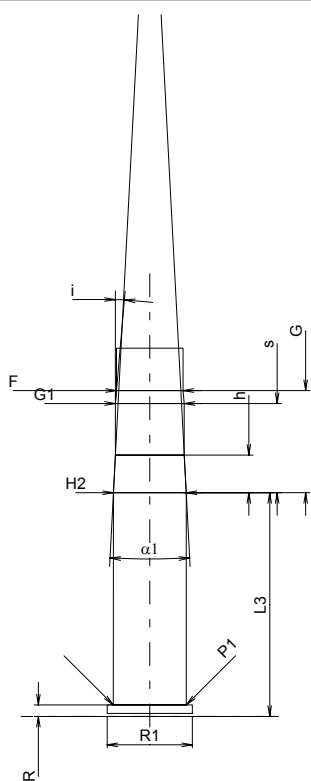
G1 ^{1)*}	=	9.11
G ¹⁾	=	13.51
α1 [*]	=	6°
h	=	4.96
s	=	11.80
i ^{1)*}	=	5°
w	=	

Canon

F ^{1)*}	=	8.81
Z ¹⁾	=	8.97

Rayures

b	=	3.05
N	=	6
u	=	406.00
Q	=	62.45 mm ²



Échelle 1:1

Dimensions en << mm >>
Dimensions et tolérances pour les canons
d'épreuve: Voyez Annexe CR 1.

Notes: 1) A' contrôler pour la sécurité
* Dimensions de base