

C.I.P.**38 Special (carb)**

TAB. IV

Date 84-06-14

Pays d'origine: US

Révision 95-05-10

CARTOUCHE MAXI**CHAMBRE MINI****Longueurs**

L1 =
 L2 =
 L3 =
 L4 =
 L5 =
 L6 =

Longueurs

L1 =
 L2 =
 L3 ¹⁾ = 29.54

Culot

R =
 R1 =
 R3 =
 E =
 E1 =
 e min =
 δ =
 f =
 β =

Cuvette

R ¹⁾ = 1.50
 R1 = 11.28
 R2 =
 R3 =
 r =

Chambre à poudre

P1 =
 P2 =

Chambre à poudre

E =
 P1 ¹⁾ = 9.68
 P2 =

Cône de raccordement

α =
 S =
 r1 min =
 r2 =

Cône de raccordement

α =
 S =
 r1 max =
 r2 =

Collet

H1 =
 H2 =

Collet

H1 =
 H2 ¹⁾ = 9.65

Projectile

G1 =
 G2 =
 F =
 L3+G =

Prise de rayures

G1 ^{1)*} = 9.65
 G ¹⁾ = 3.77
 α1 ^{*} =
 h =
 s ^{*} =
 j ^{1)*} = 6°30'
 w =

Pressions (Énergies)**Méthode transducteur**

Pmax = 1500 bar
 PK = 1725 bar
 PE = 1950 bar
 M = 12.50

Canon

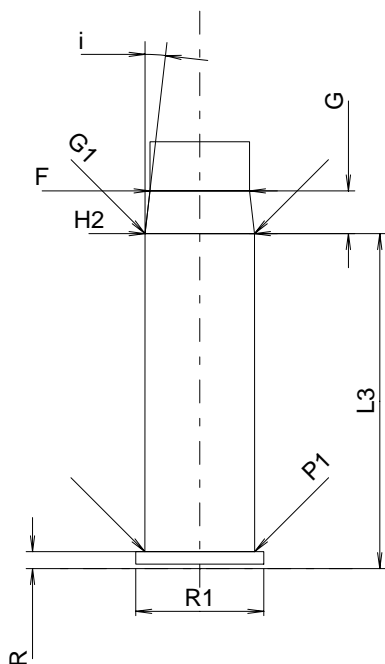
F ^{1)*} = 8.79
 Z ¹⁾ = 9.02

Rayures

b = 2.67
 N = 6
 u = 476.00
 Q = 62.55 mm²

Autres indications

Fe ¹⁾ = 0.15
 delta L =



Échelle 1.5:1

Dimensions en << mm >>

Notes: 1) A' contrôler pour la sécurité
 * Dimensions de base