

C.I.P.**45 Colt (carb)**

TAB. IV

Date 84-06-14

Pays d'origine: US

Révision 95-05-10

CARTOUCHE MAXI**CHAMBRE MINI****Longueurs**

L1 =
L2 =
L3 =
L4 =
L5 =
L6 =

Longueurs

L1 =
L2 =
L3 ¹⁾ = 32.89

Culot

R =
R1 =
R3 =
E =
E1 =
e min =
 δ =
f =
 β =

Cuvette

R ¹⁾ = 1.52
R1 = 13.11
R2 =
R3 =
r =

Chambre à poudre

P1 =
P2 =

Chambre à poudre

E =
P1 ¹⁾ = 12.37
P2 =

Cône de raccordement

α =
S =
r1 min =
r2 =

Cône de raccordement

α =
S =
r1 max =
r2 =

Collet

H1 =
H2 =

Collet

H1 =
H2 ¹⁾ = 12.19

Projectile

G1 =
G2 =
F =
L3+G =

Prise de rayures

G1 ^{1)*} = 12.19
G ¹⁾ = 3.53
 $\alpha 1^*$ =
h =
s =
j ^{1)*} = 7°45'
w =

Pressions (Énergies)**Méthode crusher**

Pmax = 1100 bar
PK = 1265 bar
PE = 1430 bar
M =

Canon

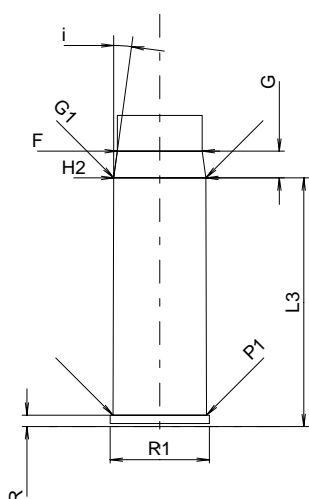
F ^{1)*} = 11.23
Z ¹⁾ = 11.43

Rayures

b = 3.96
N = 6
u = 406.00
Q = 101.48 mm²

Autres indications

Fe ¹⁾ = 0.15
delta L =



Échelle 1:1

Dimensions en << mm >>

Notes: 1) A' contrôler pour la sécurité
* Dimensions de base