

C.I.P.**35 GR**

TAB.

IX

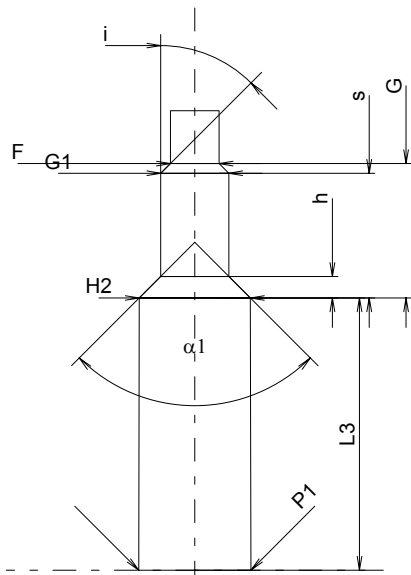
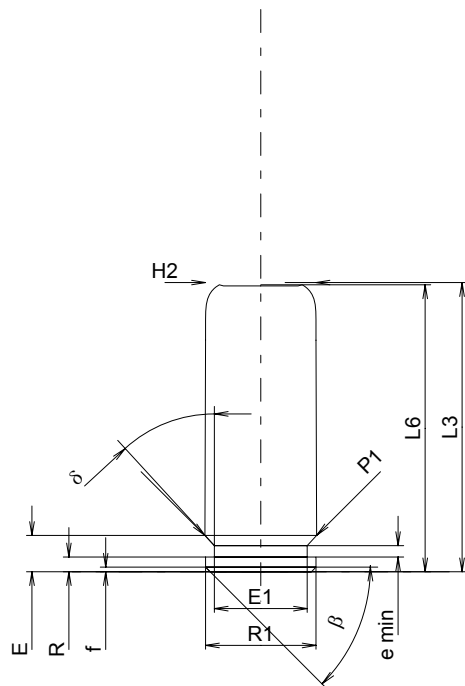
Date

93-05-28

Revision

94-06-01

Country of Origin: DE



Scale 1.5:1

Dimensions in << mm >>
Dimensions and Tolerances for Proof Barrels
see Appendix CR 6.

CARTRIDGE MAXI**Lengths**

L1	=	
L2	=	
L3 ¹⁾	=	25.50
L4	=	
L5	=	
L6	=	25.30

Case Head

R ¹⁾	=	1.30
R1	=	9.75
R3	=	
E	=	3.20
E1	=	8.20
e min	=	1.00
δ	=	40°
f	=	0.40
β	=	45°

Powder Chamber

P1 ¹⁾	=	9.85	-0.05
P2	=		

Junction Cone

α	=	
S	=	
r1 min	=	
r2	=	

Collar

H1	=	
H2 ¹⁾	=	9.75

Projectile

G1	=	
G2	=	
F	=	
L3+G	=	

Pressures (Energies)**Method Transducer**

Pmax	=	800 bar
PK	=	920 bar
PE	=	1040 bar
M	=	8.50

Miscellaneous Dimensions

Fe	=	
delta L	=	

CHAMBER MINI**Lengths**

L1	=	
L2	=	
L3 ¹⁾	=	24.00

Breech

R	=	
R1	=	
R2	=	
R3	=	
r	=	

Powder Chamber

E	=	
P1 ¹⁾	=	9.90
P2	=	

Junction Cone

α	=	
S	=	
r1 max	=	
r2	=	

Collar

H1	=	
H2 ¹⁾	=	9.80

Commencement of Rifling

G1 ^{1)*}	=	6.00
G ^{1)*}	=	11.85
α_1	=	90°
h	=	1.90
s*	=	11.00
i ¹⁾	=	45°
w	=	

Barrel

F ^{1)*}	=	4.30
Z ¹⁾	=	4.30

Grooves

b	=	
N	=	
u	=	
Q	=	14.52 mm ²

Notes: 1) Check for safety reasons
* Basic dimensions