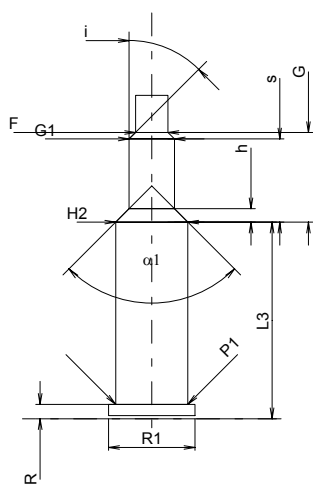
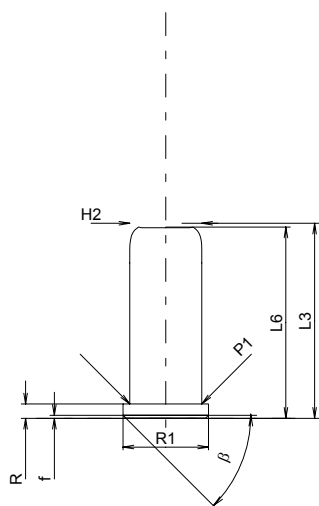


C.I.P.**35 R GR**

TAB.	IX
Date	93-05-28
Revision	94-06-01

Country of Origin: DE



Scale 1:1

Dimensions in << mm >>
Dimensions and Tolerances for Proof Barrels
see Appendix CR 6.

CARTRIDGE MAXI**Lengths**

L1 =
L2 =
L3 ¹⁾ = 25.80
L4 =
L5 =
L6 = 25.30

Case Head

R ¹⁾ = 1.90 -0.10
R1 = 11.30
R3 =
E =
E1 =
e min =
delta =
f = 0.40
beta = 45°

Powder Chamber

P1 ¹⁾ = 9.50
P2 =

Junction Cone

alpha =
S =
r1 min =
r2 =

Collar

H1 =
H2 ¹⁾ = 9.50

Projectile

G1 =
G2 =
F =
L3+G =

Pressures (Energies)**Method Transducer**

Pmax = 800 bar
PK = 920 bar
PE = 1040 bar
M = 8.50

Miscellaneous Dimensions

Fe =
delta L =

CHAMBER MINI**Lengths**

L1 =
L2 =
L3 ¹⁾ = 26.00

Breech

R ¹⁾ = 1.90
R1 = 11.40
R2 =
R3 =
r =

Powder Chamber

E =
P1 ¹⁾ = 9.55
P2 =

Junction Cone

alpha =
S =
r1 max =
r2 =

Collar

H1 =
H2 ¹⁾ = 9.55

Commencement of Rifling

G1 ¹⁾* = 6.00
G ¹⁾* = 11.85
alpha1 = 90°
h = 1.78
s* = 11.00
j ¹⁾ = 45°
w =

Barrel

F ¹⁾* = 4.30
Z ¹⁾ = 4.30

Grooves

b =
N =
u =
Q = 14.52 mm²

Notes: 1) Check for safety reasons
* Basic dimensions