

C.I.P.

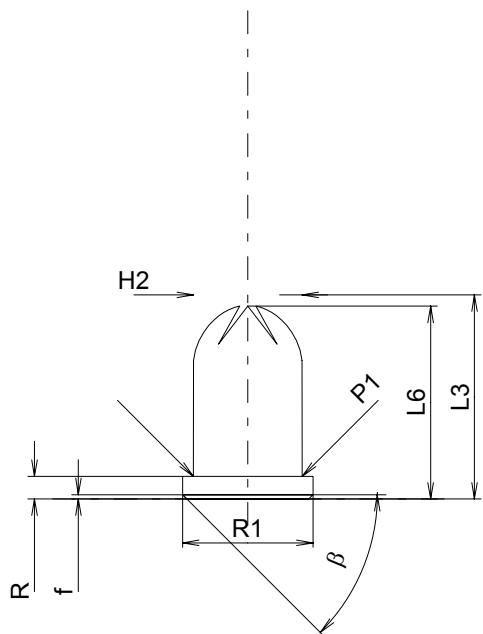
380 GR / 9 mm R GR

Country of Origin: IT/DE

TAB. IX

Date 93-05-28

Revision 94-03-01



CARTRIDGE MAXI

Lengths

L1	=	
L2	=	
L3 ¹⁾	=	18.00
L4	=	
L5	=	
L6	=	17.00

Case Head

R ¹⁾	=	2.00	-0.10
R1	=	11.50	
R3	=		
E	=		
E1	=		
e min	=		
delta	=		
f	=	0.38	
beta	=	45°	

Powder Chamber

P1 ¹⁾	=	9.58
P2	=	

Junction Cone

alpha	=	
S	=	
r1 min	=	
r2	=	

Collar

H1	=	
H2 ¹⁾	=	9.57

Projectile

G1	=	
G2	=	
F	=	
L3+G	=	

Pressures (Energies)

Miscellaneous Dimensions

Fe	=	
delta L	=	

CHAMBER MINI

Lengths

L1	=	
L2	=	
L3 ¹⁾	=	18.50

Breech

R ¹⁾	=	2.00
R1	=	11.60
R2	=	
R3	=	
r	=	

Powder Chamber

E	=	
P1 ¹⁾	=	9.60
P2	=	

Junction Cone

alpha	=	
S	=	
r1 max	=	
r2	=	

Collar

H1	=	
H2 ¹⁾	=	9.60

Commencement of Rifling

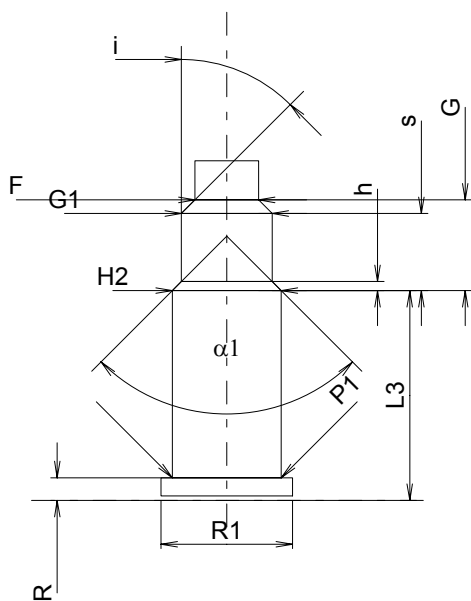
G1 ^{1)*}	=	8.00
G ^{1)*}	=	8.00
alpha1	=	90°
h	=	0.80
s*	=	6.80
i ¹⁾	=	45°
w	=	

Barrel

F ^{1)*}	=	5.60
Z ¹⁾	=	5.60

Grooves

b	=	
N	=	
u	=	
Q	=	24.63 mm ²



Scale 1.5:1

Dimensions in << mm >>
Dimensions and Tolerances for Proof Barrels
see Appendix CR 6.

Notes: 1) Check for safety reasons
* Basic dimensions