

**C.I.P.****45 L GR**

TAB. IX

Date 93-05-28

Country of Origin: IT

Revision 93-10-20

**CARTRIDGE MAXI****CHAMBER MINI****Lengths**

L1	=	
L2	=	
L3 <sup>1)</sup>	=	31.10
L4	=	
L5	=	
L6	=	29.40

**Lengths**

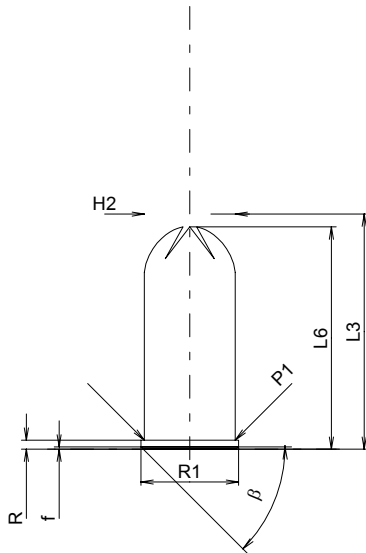
L1	=	
L2	=	
L3 <sup>1)</sup>	=	31.50

**Case Head**

R <sup>1)</sup>	=	1.20
R1	=	12.90
R3	=	
E	=	
E1	=	
e min	=	
δ	=	
f	=	0.30
β	=	45°

**Breech**

R <sup>1)</sup>	=	1.20
R1	=	13.00
R2	=	
R3	=	
r	=	

**Powder Chamber**

P1 <sup>1)</sup>	=	12.00
P2	=	

**Powder Chamber**

E	=	
P1 <sup>1)</sup>	=	12.03
P2	=	

**Junction Cone**

α	=	
S	=	
r1 min	=	
r2	=	

**Junction Cone**

α	=	
S	=	
r1 max	=	
r2	=	

**Collar**

H1	=	
H2 <sup>1)</sup>	=	12.00

**Collar**

H1	=	
H2 <sup>1)</sup>	=	12.03

**Projectile**

G1	=	
G2	=	
F	=	
L3+G	=	

**Commencement of Rifling**

G1 <sup>1)*</sup>	=	8.00
G *	=	9.25
α1	=	90°
h	=	2.01
s *	=	8.05
i <sup>1)</sup>	=	45°
w	=	

**Pressures (Energies)****Barrel**

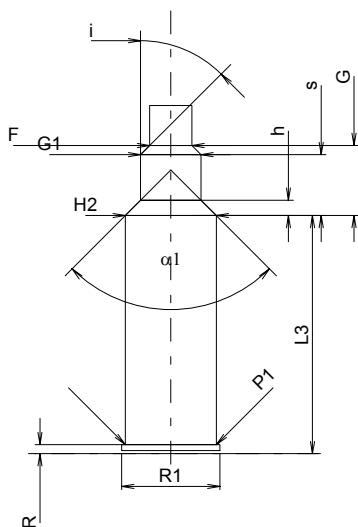
F <sup>1)*</sup>	=	5.60
Z <sup>1)</sup>	=	5.60

**Grooves**

b	=	
N	=	
u	=	
Q	=	24.63 mm <sup>2</sup>

**Miscellaneous Dimensions**

Fe	=	
delta L	=	



Scale 1:1

Dimensions in << mm >>  
Dimensions and Tolerances for Proof Barrels  
see Appendix CR 6.

Notes: 1) Check for safety reasons  
\* Basic dimensions