

C.I.P.**45 L GR**

TAB. IX

Date 93-05-28

Pays d'origine: IT

Révision 93-10-20

CARTOUCHE MAXI**CHAMBRE MINI****Longueurs**

L1	=	
L2	=	
L3 ¹⁾	=	31.10
L4	=	
L5	=	
L6	=	29.40

Longueurs

L1	=	
L2	=	
L3 ¹⁾	=	31.50

Culot

R ¹⁾	=	1.20
R1	=	12.90
R3	=	
E	=	
E1	=	
e min	=	
δ	=	
f	=	0.30
β	=	45°

Cuvette

R ¹⁾	=	1.20
R1	=	13.00
R2	=	
R3	=	
r	=	

Chambre à poudre

P1 ¹⁾	=	12.00
P2	=	

Chambre à poudre

E	=	
P1 ¹⁾	=	12.03
P2	=	

Cône de raccordement

α	=	
S	=	
r1 min	=	
r2	=	

Cône de raccordement

α	=	
S	=	
r1 max	=	
r2	=	

Collet

H1	=	
H2 ¹⁾	=	12.00

Collet

H1	=	
H2 ¹⁾	=	12.03

Projectile

G1	=	
G2	=	
F	=	
L3+G	=	

Prise de rayures

G1 ^{1)*}	=	8.00
G *	=	9.25
α1	=	90°
h	=	2.01
s *	=	8.05
i ¹⁾	=	45°
w	=	

Pressions (Énergies)**Canon**

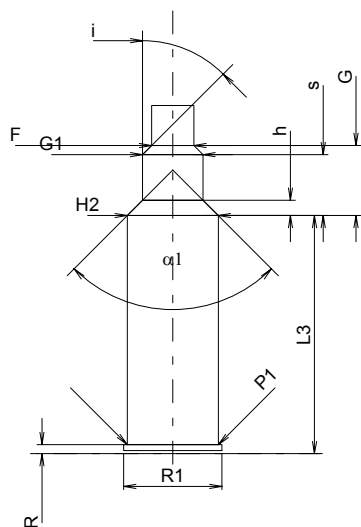
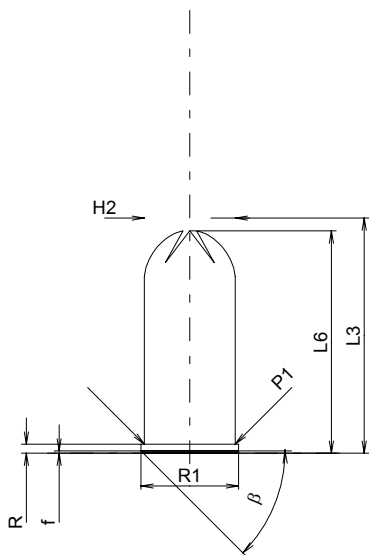
F ^{1)*}	=	5.60
Z ¹⁾	=	5.60

Rayures

b	=	
N	=	
u	=	
Q	=	24.63 mm ²

Autres indications

Fe	=	
delta L	=	



Échelle 1:1

Dimensions en << mm >>
Dimensions et tolérances pour les canons
d'épreuve: Voyez Annexe CR 6.

Notes: 1) A' contrôler pour la sécurité
* Dimensions de base