

# C.I.P.

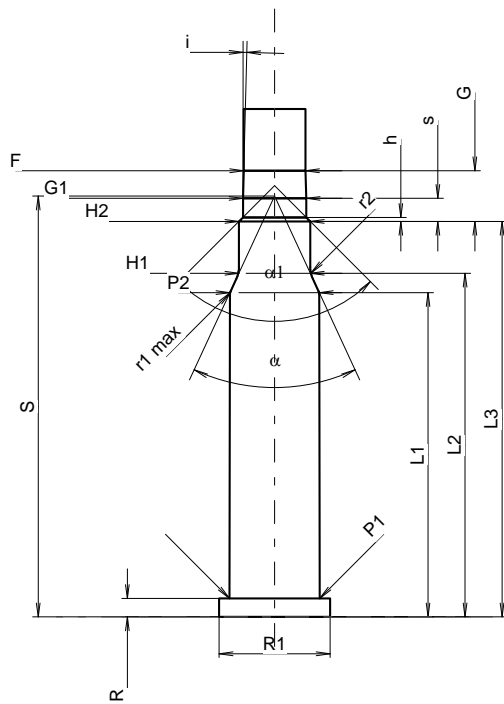
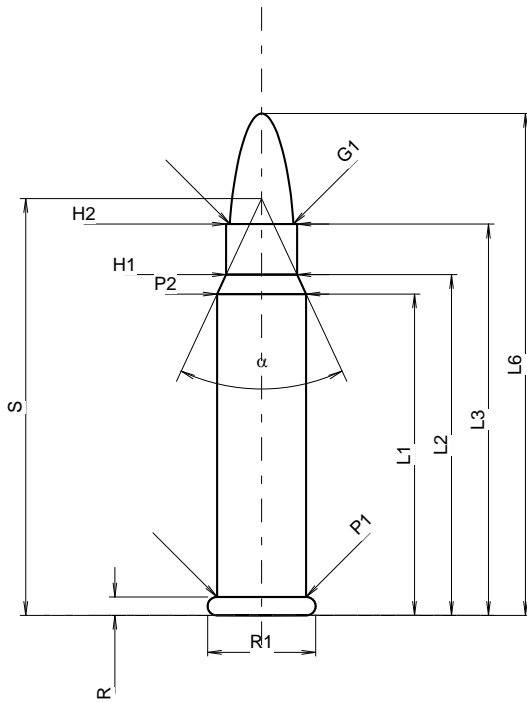
# 17 HMR

Country of Origin: US

TAB. V

Date 04-09-27

Revision 12-09-25



Scale 1.91:1

Dimensions in << mm >>  
Dimensions and Tolerances for Proof Barrels  
see Appendix CR 2.

**CARTRIDGE MAXI****Lengths**

L1	=	22.20
L2	=	23.54
L3 <sup>1)</sup>	=	27.03
L4	=	
L5	=	
L6	=	34.67

**Case Head**

R <sup>1)</sup>	=	1.27	-0.18
R1	=	7.47	
R3	=		
E	=		
E1	=		
e min	=		
$\delta$	=		
f	=		
$\beta$	=		

**Powder Chamber**

P1	=	6.15
P2 *	=	6.15

**Junction Cone**

$\alpha$ *	=	50°
S *	=	28.79
r1 min	=	
r2	=	

**Collar**

H1 *	=	4.90
H2 <sup>1)</sup>	=	4.90

**Projectile**

G1 <sup>1)</sup>	=	4.38
G2	=	
F	=	
L3+G <sup>1)</sup>	=	30.53

**Pressures (Energies)****Method Transducer**

Pmax	=	1800 bar
PK	=	2070 bar
PE	=	2340 bar
M	=	17.50

**Miscellaneous Dimensions**

Fe <sup>1)4)</sup>	=	0.20
delta L	=	

Notes: 1) Check for safety reasons  
4) Headspace on Rim  
\* Basic dimensions

**CHAMBER MINI****Lengths**

L1 <sup>1)</sup>	=	22.40
L2	=	23.74
L3 <sup>1)</sup>	=	27.32

**Breech**

R <sup>1)</sup>	=	1.27
R1	=	7.67
R2	=	
R3	=	
r	=	

**Powder Chamber**

E	=	
P1 <sup>1)</sup>	=	6.22
P2 *	=	6.17

**Junction Cone**

$\alpha$ *	=	49°48'
S *	=	29.07
r1 max	=	0.64
r2	=	1.91

**Collar**

H1 *	=	4.93
H2 <sup>1)</sup>	=	4.93

**Commencement of Rifling**

G1 *	=	4.37
G	=	3.50
$\alpha_1$ *	=	90°
h	=	0.28
s	=	1.59
i *	=	1°30'
w	=	

**Barrel**

F <sup>1)</sup> *	=	4.27
Z <sup>1)</sup>	=	4.37

**Grooves**

b	=	1.57
N	=	6
u	=	229.00
Q	=	14.80 mm <sup>2</sup>