

C.I.P.

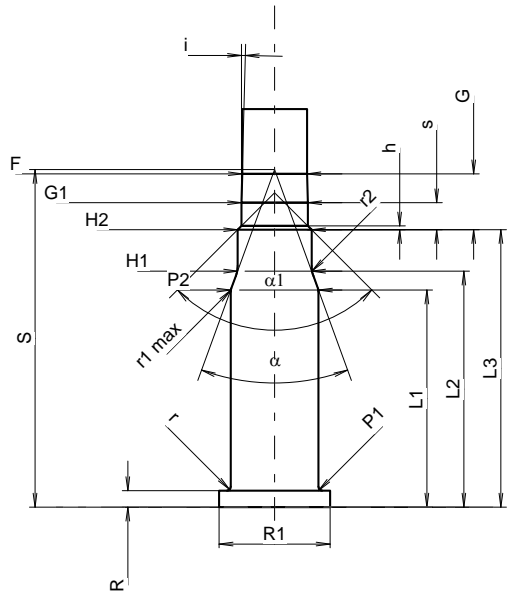
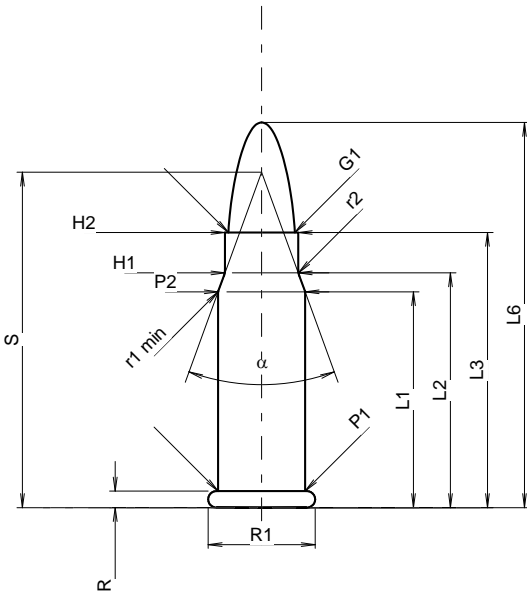
17 Mach 2

Country of Origin: US

TAB. V

Date 04-09-27

Revision 12-09-25



Scale 2.01:1

CARTRIDGE MAXI

Lengths

L1	=	14.23
L2	=	15.48
L3 ¹⁾	=	18.14
L4	=	
L5	=	
L6	=	25.40

Case Head

R	=	1.09	-0.18
R1	=	7.06	
R3	=		
E	=		
E1	=		
e min	=		
delta	=		
f	=		
beta	=		

Powder Chamber

P1	=	5.74
P2 *	=	5.74

Junction Cone

alpha *	=	40°
S *	=	22.12
r1 min	=	0.25
r2	=	1.27

Collar

H1 *	=	4.83
H2 ¹⁾	=	4.83

Projectile

G1 ¹⁾	=	4.38
G2	=	
F	=	
L3+G ¹⁾	=	21.83

Pressures (Energies)

Method Transducer

Pmax	=	1800 bar
PK	=	2070 bar
PE	=	2340 bar
M	=	6.50

Miscellaneous Dimensions

Fe	=	0.20
delta L	=	

CHAMBER MINI

Lengths

L1 ¹⁾	=	14.31
L2	=	15.56
L3 ¹⁾	=	18.29

Breech

R ¹⁾	=	1.09
R1	=	7.32
R2	=	
R3	=	
r	=	0.25

Powder Chamber

E	=	
P1 ¹⁾	=	5.79
P2 *	=	5.79

Junction Cone

alpha *	=	40°
S *	=	22.26
r1 max	=	0.64
r2	=	1.90

Collar

H1 *	=	4.88
H2 ¹⁾	=	4.88

Commencement of Rifling

G1 *	=	4.37
G	=	3.69
alpha1 *	=	90°
h	=	0.25
s	=	1.78
i *	=	1°30'
w	=	

Barrel

F ¹⁾ *	=	4.27
Z ¹⁾	=	4.37

Grooves

b	=	1.57
N	=	6
u	=	228.60
Q	=	14.80 mm ²

Notes: 1) Check for safety reasons
* Basic dimensions

Dimensions in << mm >>
Dimensions and Tolerances for Proof Barrels
see Appendix CR 2.