

**C.I.P.****17 WSM**

TAB.

V

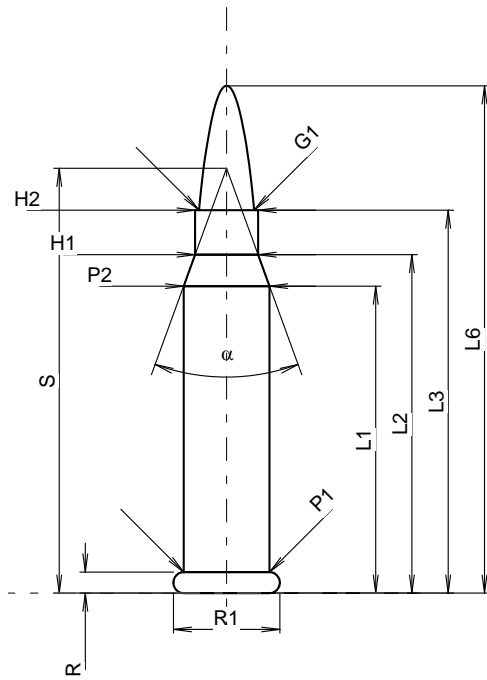
Date

16-05-18

Revision

Country of Origin: US

Alternative Names: 17 Winchester Super Magnum, 17 Win. Super Mag.

**CARTRIDGE MAXI****Lengths**

L1	=	24.44
L2	=	26.95
L3 <sup>1)</sup>	=	30.48
L4	=	
L5	=	
L6	=	40.39

**Case Head**

R <sup>1)</sup>	=	1.68	-0.18
R1	=	8.46	
R3	=		
E	=		
E1	=		
e min	=		
delta	=		
f	=		
beta	=		

**Powder Chamber**

P1	=	6.83
P2 *	=	6.83

**Junction Cone**

alpha *	=	40°
S *	=	33.82
r1 min	=	
r2	=	

**Collar**

H1 *	=	5.00
H2 <sup>1)</sup>	=	5.00

**Projectile**

G1 <sup>1)</sup>	=	4.38
G2	=	
F	=	
L3+G <sup>1)</sup>	=	33.97

**Pressures (Energies)****Method Transducer**

Pmax	=	2200 bar
PK	=	2530 bar
PE	=	2860 bar
M	=	17.50
EE	=	515 Joule

**Miscellaneous Dimensions**

Fe <sup>1)4)</sup>	=	0.15
delta L	=	

**CHAMBER MINI****Lengths**

L1 <sup>1)</sup>	=	24.64
L2	=	27.17
L3 <sup>1)</sup>	=	30.78

**Breech**

R <sup>1)</sup>	=	1.68
R1	=	8.66
R2	=	
R3	=	
r	=	

**Powder Chamber**

E	=	
P1 <sup>1)</sup>	=	6.91
P2 *	=	6.86

**Junction Cone**

alpha *	=	39°46'
S *	=	34.12
r1 max	=	0.64
r2	=	2.79

**Collar**

H1 *	=	5.03
H2 <sup>1)</sup>	=	5.03

**Commencement of Rifling**

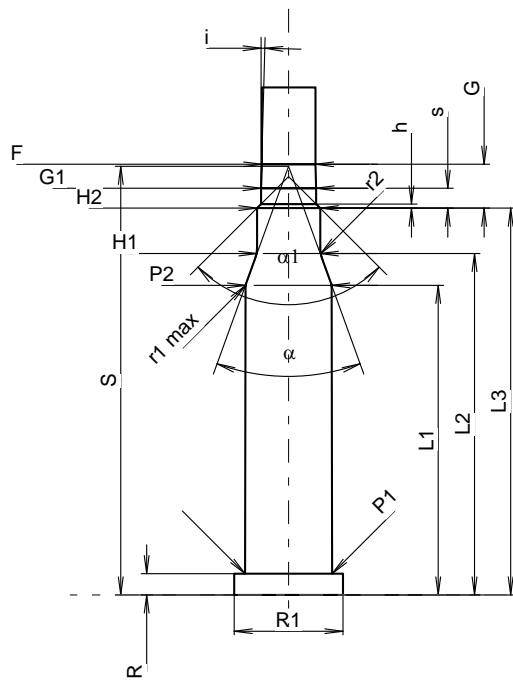
G1 <sup>1)</sup> *	=	4.37
G <sup>1)</sup>	=	3.49
alpha l	=	90°
h	=	0.33
s *	=	1.58
i <sup>1)</sup> *	=	1°30'
w	=	

**Barrel**

F <sup>1)</sup> *	=	4.27
Z <sup>1)</sup>	=	4.37

**Grooves**

b	=	1.57
N	=	6
u	=	229.00
Q	=	14.80 mm <sup>2</sup>



Scale 1.66:1

Dimensions in << mm >>  
Dimensions and Tolerances for Proof Barrels  
see Appendix CR 2.

Notes: 1) Check for safety reasons  
4) Headspace on Rim  
\* Basic dimensions