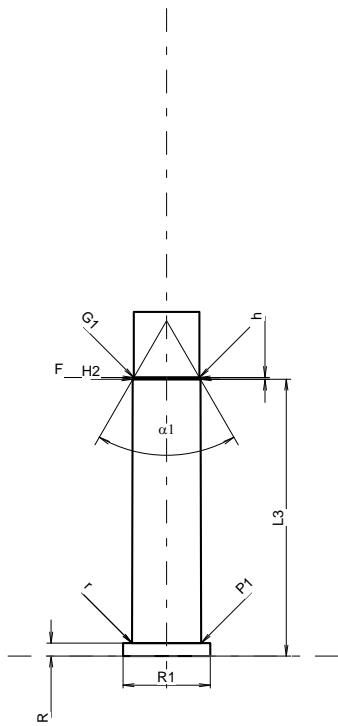
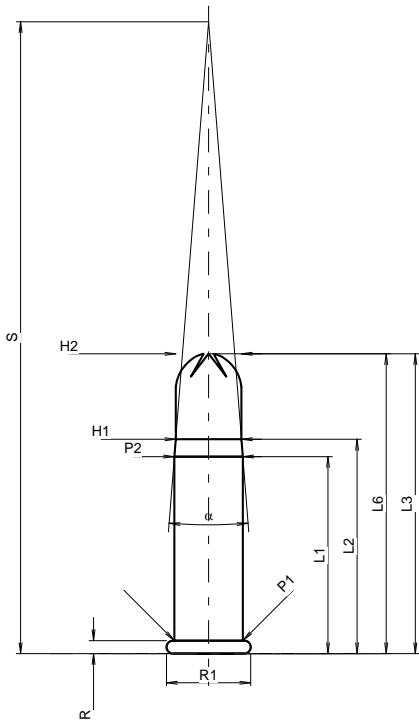


# C.I.P.

## 22 Long Rifle Shot Claybirding

Country of Origin: US

TAB.	V
Date	84-06-14
Revision	00-06-07



Scale 1.58:1

Dimensions in << mm >>  
Dimensions and Tolerances for Proof Barrels  
see Appendix CR 2.

### CARTRIDGE MAXI

#### Lengths

L1	=	16.53
L2	=	17.98
L3	=	25.15
L4	=	
L5	=	
L6	=	25.15

#### Case Head

R <sup>1)</sup>	=	1.09	-0.18
R1	=	7.06	
R3	=		
E	=		
E1	=		
e min	=		
delta	=		
f	=		
beta	=		

#### Powder Chamber

P1	=	5.74
P2 *	=	5.74

#### Junction Cone

alpha *	=	9°
S *	=	53.00
r1 min	=	
r2	=	

#### Collar

H1 *	=	5.51
H2 <sup>1)</sup>	=	5.51

#### Projectile

G1	=	
G2	=	
F	=	5.51
L1+G	=	

#### Pressures (Energies)

##### Method Transducer

Pmax	=	1500 bar
PK	=	1725 bar
PE	=	1950 bar
M	=	26.95

#### Miscellaneous Dimensions

Fe <sup>1)</sup>	=	0.20
delta L	=	

### CHAMBER MINI

#### Lengths

L1	=	
L2	=	
L3 <sup>1)</sup>	=	23.22

#### Breech

R <sup>1)</sup>	=	1.09
R1	=	7.32
R2	=	
R3	=	
r	=	0.13

#### Powder Chamber

E	=	
P1 <sup>1)</sup>	=	5.80
P2	=	

#### Junction Cone

alpha	=	
S	=	
r1 max	=	
r2	=	

#### Collar

H1	=	
H2 <sup>1)</sup>	=	5.68

#### Commencement of Rifling

G1 *	=	5.51
G	=	
alpha 1 *	=	60°
h	=	0.15
s	=	
i	=	
w	=	

#### Barrel

F <sup>1)</sup> *	=	5.51
Z <sup>1)</sup>	=	5.51

#### Grooves

b	=	
N	=	
u	=	
Q	=	23.81 mm <sup>2</sup>

Notes: 1) Check for safety reasons  
\* Basic dimensions