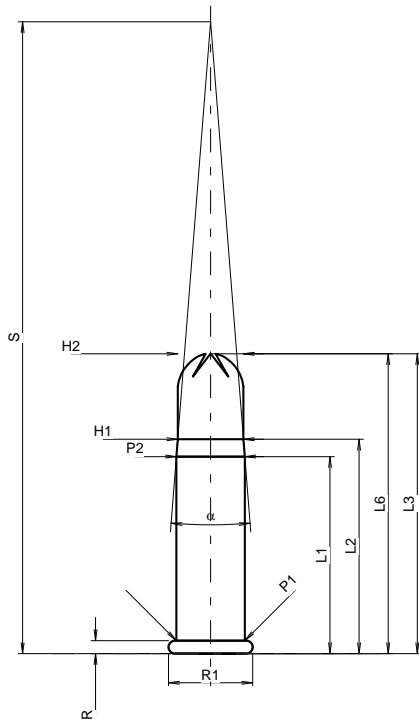


C.I.P.**22 Long Rifle Shot Claybirding**

TAB.	V
Date	84-06-14
Révision	00-06-07

Pays d'origine: US

**CARTOUCHE MAXI****Longueurs**

L1	=	16.53
L2	=	17.98
L3	=	25.15
L4	=	
L5	=	
L6	=	25.15

Culot

R ¹⁾	=	1.09	-0.18
R1	=	7.06	
R3	=		
E	=		
E1	=		
e min	=		
δ	=		
f	=		
β	=		

Chambre à poudre

P1	=	5.74
P2*	=	5.74

Cône de raccordement

α*	=	9°
S*	=	53.00
r1 min	=	
r2	=	

Collet

H1*	=	5.51
H2 ¹⁾	=	5.51

Projectile

G1	=	
G2	=	
F	=	5.51
L1+G	=	

Pressions (Énergies)**Méthode transducteur**

Pmax	=	1500 bar
PK	=	1725 bar
PE	=	1950 bar
M	=	26.95

Autres indications

Fe ¹⁾	=	0.20
delta L	=	

CHAMBRE MINI**Longueurs**

L1	=	
L2	=	
L3 ¹⁾	=	23.22

Cuvette

R ¹⁾	=	1.09
R1	=	7.32
R2	=	
R3	=	
r	=	0.13

Chambre à poudre

E	=	
P1 ¹⁾	=	5.80
P2	=	

Cône de raccordement

α	=	
S	=	
r1 max	=	
r2	=	

Collet

H1	=	
H2 ¹⁾	=	5.68

Prise de rayures

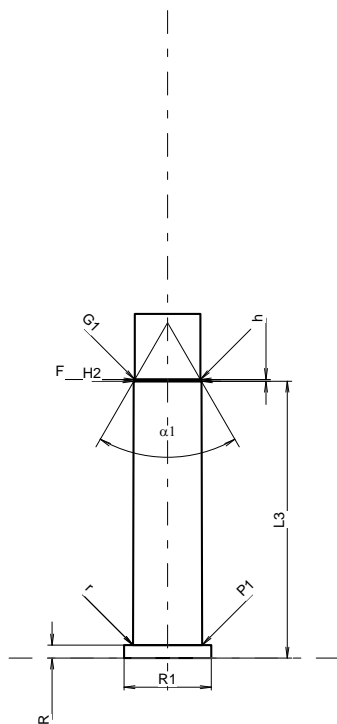
G1*	=	5.51
G	=	
α1*	=	60°
h	=	0.15
s	=	
i	=	
w	=	

Canon

F ¹⁾ *	=	5.51
Z ¹⁾	=	5.51

Rayures

b	=	
N	=	
u	=	
Q	=	23.81 mm ²



Échelle 1.58:1

Dimensions en << mm >>
Dimensions et tolérances pour les canons
d'épreuve: Voyez Annexe CR 2.

Notes: 1) A' contrôler pour la sécurité
* Dimensions de base