

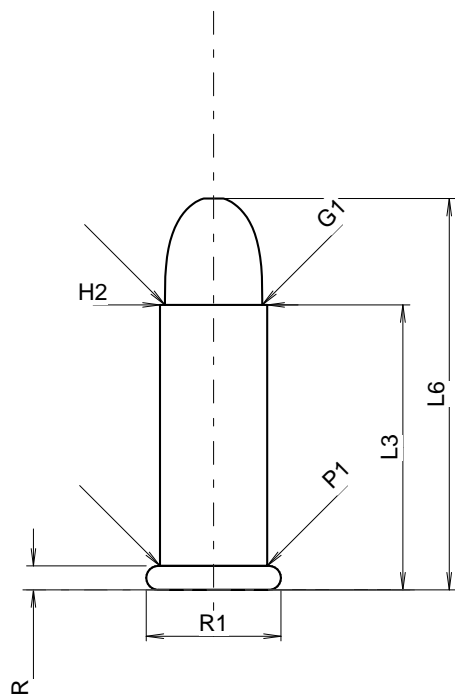
C.I.P.**22 Win. Auto**

TAB. V

Date 84-06-14

Pays d'origine: US

Révision 00-06-07

**CARTOUCHE MAXI****Longueurs**

L1	=	
L2	=	
L3 ¹⁾	=	16.92
L4	=	
L5	=	
L6	=	23.24

Culot

R ¹⁾	=	1.42	-0.18
R1	=	8.00	
R3	=		
E	=		
E1	=		
e min	=		
δ	=		
f	=		
β	=		

Chambre à poudre

P1	=	6.36
P2	=	

Cône de raccordement

α	=	
S	=	
r1 min	=	
r2	=	

Collet

H1	=	
H2 ¹⁾	=	6.36

Projectile

G1 ¹⁾	=	5.78
G2	=	
F	=	
L3+G ¹⁾	=	21.65

Pressions (Énergies)**Méthode crusher**

Pmax	=	1000 bar
PK	=	1150 bar
PE	=	1300 bar
M	=	18.72

Autres indications

Fe ¹⁾	=	0.20
delta L	=	

CHAMBRE MINI**Longueurs**

L1	=	
L2	=	
L3 ¹⁾	=	17.32

Cuvette

R ¹⁾	=	1.42
R1	=	8.26
R2	=	
R3	=	
r	=	0.13

Chambre à poudre

E	=	
P1 ¹⁾	=	6.55
P2	=	

Cône de raccordement

α	=	
S	=	
r1 max	=	
r2	=	

Collet

H1	=	
H2 ¹⁾	=	6.40

Prise de rayures

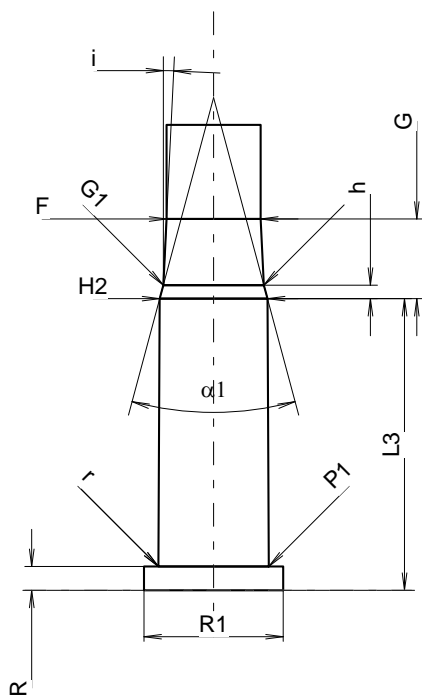
G1 *	=	5.97
G	=	4.73
α1 *	=	30°
h	=	0.80
s	=	
i *	=	2°46'
w	=	

Canon

F ¹⁾ *	=	5.59
Z ¹⁾	=	5.74

Rayures

b	=	1.70
N	=	6
u	=	356.00
Q	=	25.32 mm ²



Échelle 2.23:1

Dimensions en << mm >>
Dimensions et tolérances pour les canons
d'épreuve: Voyez Annexe CR 2.

Notes: 1) A' contrôler pour la sécurité
* Dimensions de base