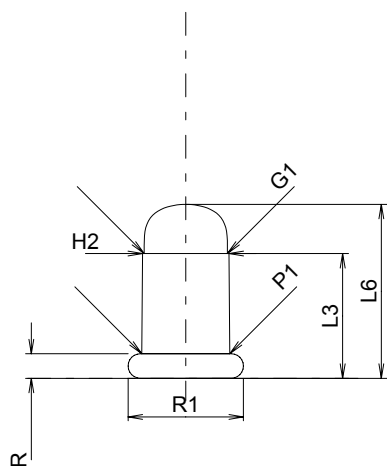


**C.I.P.****4 mm Randz. court**TAB. **V**Date **84-06-14**

Country of Origin: DE

Revision **00-06-07****CARTRIDGE MAXI****Lengths**

L1	=	
L2	=	
L3 <sup>1)</sup>	=	6.60
L4	=	
L5	=	
L6	=	9.20

**Case Head**

R <sup>1)</sup>	=	1.30	-0.18
R1	=	6.10	
R3	=		
E	=		
E1	=		
e min	=		
δ	=		
f	=		
β	=		

**Powder Chamber**

P1	=	4.65
P2	=	

**Junction Cone**

α	=	
S	=	
r1 min	=	
r2	=	

**Collar**

H1	=	
H2 <sup>1)</sup>	=	4.58

**Projectile**

G1 <sup>1)</sup>	=	4.40
G2	=	
F	=	4.05
L3+G <sup>1)</sup>	=	9.25

**Pressures (Energies)****Energy**

E <sub>max</sub>	=	30.0 Joule
E <sub>K</sub>	=	32.1 Joule
E <sub>E</sub>	=	33.0 Joule

**Miscellaneous Dimensions**

Fe <sup>1)</sup>	=	0.20
delta L	=	

**CHAMBER MINI****Lengths**

L1	=	
L2	=	
L3 <sup>1)</sup>	=	6.70

**Breech**

R <sup>1)</sup>	=	1.20
R1	=	6.13
R2	=	
R3	=	
r	=	

**Powder Chamber**

E	=	
P1 <sup>1)</sup>	=	4.70
P2	=	

**Junction Cone**

α	=	
S	=	
r1 max	=	
r2	=	

**Collar**

H1	=	
H2 <sup>1)</sup>	=	4.58

**Commencement of Rifling**

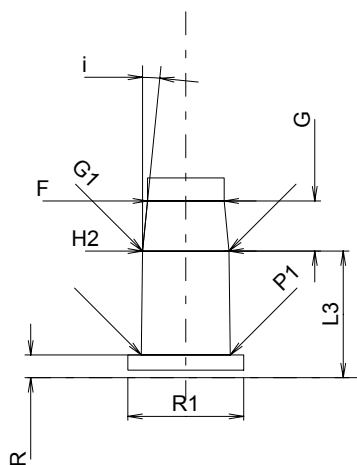
G1 <sup>*</sup>	=	4.58
G <sup>*</sup>	=	2.65
α1	=	
h	=	
s	=	
i	=	5°42'38"
w	=	

**Barrel**

F <sup>1)</sup> *	=	4.05
Z <sup>1)</sup>	=	4.30

**Grooves**

b	=	1.25
N	=	6
u	=	450.00
Q	=	13.83 mm <sup>2</sup>



Scale 2.5:1

Dimensions in << mm >>  
Dimensions and Tolerances for Proof Barrels  
see Appendix CR 2.

Notes: 1) Check for safety reasons  
\* Basic dimensions