

C.I.P.**10 x 18**

TAB.

VI

Datum

84-06-14

Revision

90-06-13

Ursprungsland: DE

PATRONE MAXI**Längen**

| | | |
|------------------|---|-------|
| L1 | = | |
| L2 | = | |
| L3 ¹⁾ | = | 18.70 |
| L4 | = | |
| L5 | = | |
| L6 | = | 17.80 |

Hülsenboden

| | | |
|----------|---|-------|
| R | = | 1.20 |
| R1 | = | 10.85 |
| R3 | = | |
| E | = | |
| E1 | = | |
| e min | = | |
| δ | = | |
| f | = | 0.30 |
| β | = | 45° |

Pulverkammer

| | | |
|----|---|-------|
| P1 | = | 10.00 |
| P2 | = | |

Schulterkonus

| | | |
|----------|---|--|
| α | = | |
| S | = | |
| r1 min | = | |
| r2 | = | |

Hülsenhals

| | | |
|------------------|---|-------|
| H1 | = | |
| H2 ¹⁾ | = | 10.00 |

Volumen [cm³]

| | | |
|------|---|------|
| VC | = | 1.40 |
| Va 1 | = | 0.40 |
| Va 2 | = | |

Drücke (Energien)**Verschiedene Daten**

| | | |
|---------|---|--|
| Fe | = | |
| delta L | = | |

PATRONENLAGER MINI**Längen**

| | | |
|------------------|---|-------|
| L1 | = | |
| L2 | = | |
| L3 ¹⁾ | = | 19.00 |

Stosboden

| | | |
|-----------------|---|-------|
| R ¹⁾ | = | 1.15 |
| R1 | = | 10.95 |
| R2 | = | |
| R3 | = | |
| r | = | |

Pulverkammer

| | | |
|----|---|-------|
| E | = | |
| P1 | = | 10.05 |
| P2 | = | |

Schulterkonus

| | | |
|----------|---|--|
| α | = | |
| S | = | |
| r1 max | = | |
| r2 | = | |

Hülsenhals

| | | |
|----|---|-------|
| H1 | = | |
| H2 | = | 10.05 |

Übergang

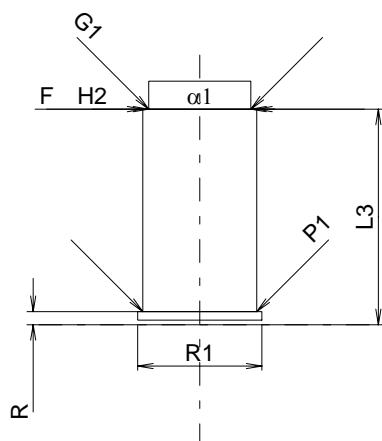
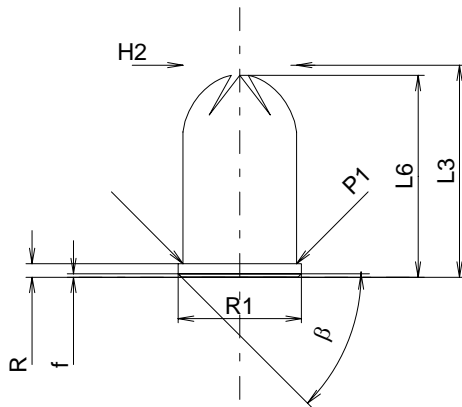
| | | |
|------------|---|------|
| G1 * | = | 9.00 |
| G | = | |
| $\alpha 1$ | = | 180° |
| h | = | |
| s | = | |
| i | = | |
| w | = | |

Lauf

| | | |
|-----|---|------|
| F * | = | 9.00 |
| Z | = | 9.00 |

Volumen [cm³]

| | | |
|-------|---|------|
| V(ET) | = | 1.52 |
| V(T) | = | |



Maßstab 1.5:1

Maße in << mm >>
Maße und Toleranzen für Messläufe
siehe Anhang CR 3.

Bemerkungen: 1) Kontrolle aus Sicherheitsgründen
* Grundmaße