

C.I.P.

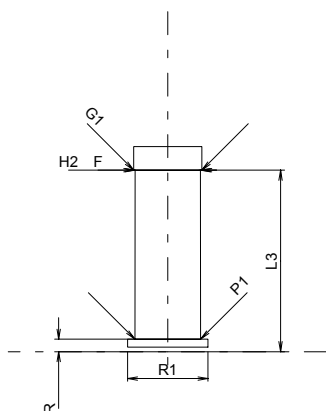
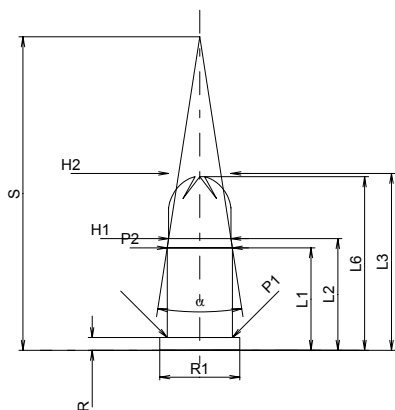
22 NC (5,5/16)

Country of Origin: US

TAB. VI

Date 84-06-14

Revision 96-06-06



CARTRIDGE MAXI

Lengths

L1	=	9.04
L2	=	9.85
L3 ¹⁾	=	15.60
L4	=	
L5	=	
L6	=	15.30

Case Head

R	=	1.12
R1	=	7.06
R3	=	
E	=	
E1	=	
e min	=	
delta	=	
f	=	
beta	=	

Powder Chamber

P1	=	5.74
P2 *	=	5.74

Junction Cone

alpha *	=	17°32'44"
S *	=	27.64
r1 min	=	
r2	=	

Collar

H1 *	=	5.49
H2 ¹⁾	=	5.49

Volumes [cm³]

VC	=	0.39
Va 1	=	0.16
Va 2	=	0.80

Pressures (Energies)

Method Transducer [Va1]

Pmax	=	2800 bar
PK	=	3220 bar
PE	=	3640 bar

Method Transducer [Va2]

Pmax	=	1300 bar
PK	=	1495 bar
PE	=	1690 bar
M	=	

Miscellaneous Dimensions

Fe	=	
delta L	=	

CHAMBER MINI

Lengths

L1	=	
L2	=	
L3 ¹⁾	=	16.00

Breech

R ¹⁾	=	1.10
R1	=	7.10
R2	=	
R3	=	
r	=	

Powder Chamber

E	=	
P1	=	5.80
P2	=	

Junction Cone

alpha	=	
S	=	
r1 max	=	
r2	=	

Collar

H1	=	
H2	=	5.76

Commencement of Rifling

G1 *	=	6.00
G	=	
alpha 1 *	=	180°
h	=	
s	=	
i	=	
w	=	

Barrel

F *	=	6.00
Z	=	6.00

Volumes [cm³]

V(ET)	=	0.45
V(T)	=	

Scale 1.5:1

Dimensions in << mm >>
Dimensions and Tolerances for Proof Barrels
see Appendix CR 3.

Notes: 1) Check for safety reasons
* Basic dimensions