

# C.I.P.

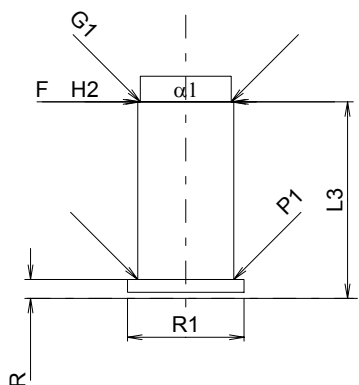
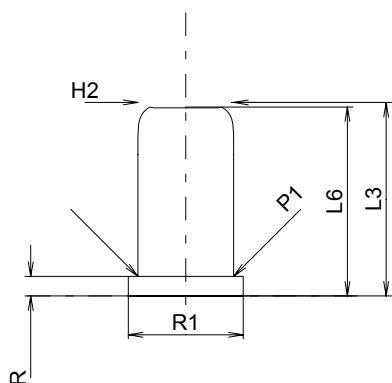
# 6,3/12

Country of Origin: US/IT

TAB. VI

Date 84-06-14

Revision 90-06-13



### CARTRIDGE MAXI

#### Lengths

L1	=	
L2	=	
L3 <sup>1)</sup>	=	12.80
L4	=	
L5	=	
L6	=	12.50

#### Case Head

R	=	1.30
R1	=	7.60
R3	=	
E	=	
E1	=	
e min	=	
δ	=	
f	=	
β	=	

#### Powder Chamber

P1	=	6.32
P2	=	

#### Junction Cone

α	=	
S	=	
r1 min	=	
r2	=	

#### Collar

H1	=	
H2 <sup>1)</sup>	=	6.32

#### Volumes [cm<sup>3</sup>]

VC	=	0.33
Va 1	=	0.16
Va 2	=	0.80

#### Pressures (Energies)

##### Method Transducer [Va1]

Pmax	=	3000 bar
PK	=	3450 bar
PE	=	3900 bar

##### Method Transducer [Va2]

Pmax	=	1500 bar
PK	=	1725 bar
PE	=	1950 bar
M	=	

#### Miscellaneous Dimensions

Fe	=	
delta L	=	

### CHAMBER MINI

#### Lengths

L1	=	
L2	=	
L3 <sup>1)</sup>	=	13.00

#### Breech

R <sup>1)</sup>	=	1.25
R1	=	7.70
R2	=	
R3	=	
r	=	

#### Powder Chamber

E	=	
P1	=	6.35
P2	=	

#### Junction Cone

α	=	
S	=	
r1 max	=	
r2	=	

#### Collar

H1	=	
H2	=	6.35

#### Commencement of Rifling

G1 <sup>*</sup>	=	6.00
G	=	
α1 <sup>*</sup>	=	180°
h	=	
s	=	
i	=	
w	=	

#### Barrel

F <sup>*</sup>	=	6.00
Z	=	6.00

#### Volumes [cm<sup>3</sup>]

V(ET)	=	0.43
V(T)	=	

Scale 2:1

Dimensions in << mm >>  
Dimensions and Tolerances for Proof Barrels  
see Appendix CR 3.

Notes: 1) Check for safety reasons  
\* Basic dimensions