

C.I.P.**6,3/14****TAB.****VI****Date****84-06-14**

Country of Origin: DE

Revision**90-06-13****CARTRIDGE MAXI****CHAMBER MINI****Lengths**

L1	=	
L2	=	
L3 ¹⁾	=	14.50
L4	=	
L5	=	
L6	=	14.00

Lengths

L1	=	
L2	=	
L3 ¹⁾	=	15.00

Case Head

R	=	1.30
R1	=	7.60
R3	=	
E	=	
E1	=	
e min	=	
δ	=	
f	=	
β	=	

Breech

R ¹⁾	=	1.25
R1	=	7.70
R2	=	
R3	=	
r	=	

Powder Chamber

P1	=	6.32
P2	=	

Powder Chamber

E	=	
P1	=	6.35
P2	=	

Junction Cone

α	=	
S	=	
r1 min	=	
r2	=	

Junction Cone

α	=	
S	=	
r1 max	=	
r2	=	

Collar

H1	=	
H2 ¹⁾	=	6.32

Collar

H1	=	
H2	=	6.35

Volumes [cm³]

VC	=	0.38
Va 1	=	0.16
Va 2	=	0.80

Commencement of Rifling

G1*	=	6.00
G	=	
α1	=	180°
h	=	
s	=	
i	=	
w	=	

Pressures (Energies)**Method Transducer [Va1]**

Pmax	=	2650 bar
PK	=	3048 bar
PE	=	3445 bar

Method Transducer [Va2]

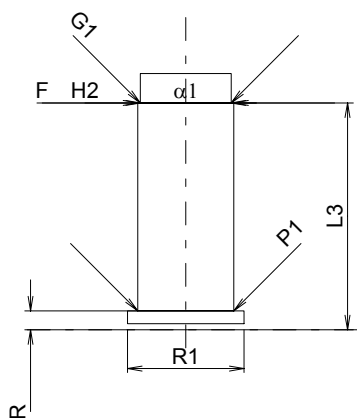
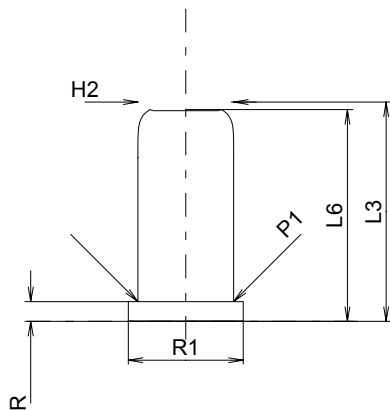
Pmax	=	1350 bar
PK	=	1553 bar
PE	=	1755 bar
M	=	

Barrel

F*	=	6.00
Z	=	6.00

Volumes [cm³]

V(ET)	=	0.49
V(T)	=	



Scale 2:1

Dimensions in << mm >>
Dimensions and Tolerances for Proof Barrels
see Appendix CR 3.

Notes: 1) Check for safety reasons
* Basic dimensions