

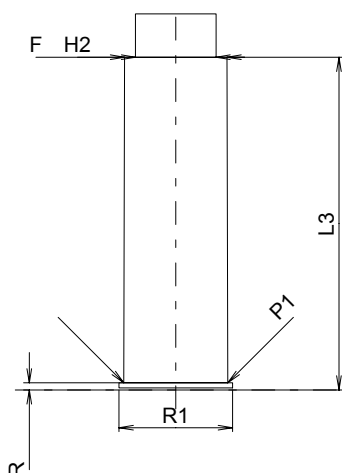
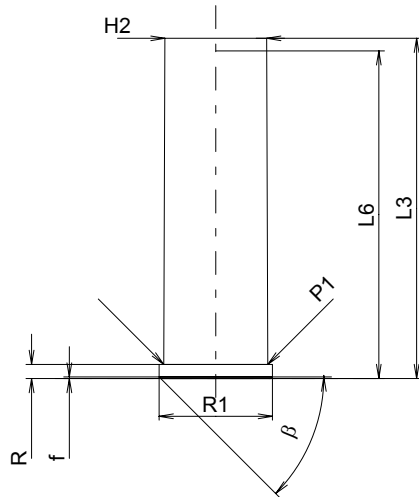
C.I.P.**20 mm x 67 Dynergit**

TAB. VI

Date 95-03-09

Revision 96-06-06

Country of Origin: DE

**CARTRIDGE MAXI****Lengths**

| | | |
|------------------|---|-------|
| L1 | = | |
| L2 | = | |
| L3 ¹⁾ | = | 67.50 |
| L4 | = | |
| L5 | = | |
| L6 | = | 65.00 |

Case Head

| | | |
|-------|---|-------|
| R | = | 2.80 |
| R1 | = | 22.45 |
| R3 | = | |
| E | = | |
| E1 | = | |
| e min | = | |
| δ | = | |
| f | = | 0.30 |
| β | = | 45° |

Powder Chamber

| | | |
|----|---|-------|
| P1 | = | 20.60 |
| P2 | = | |

Junction Cone

| | | |
|--------|---|--|
| α | = | |
| S | = | |
| r1 min | = | |
| r2 | = | |

Collar

| | | |
|------------------|---|-------|
| H1 | = | |
| H2 ¹⁾ | = | 20.20 |

Volumes [cm³]

| | | |
|------|---|------|
| VC | = | |
| Va 1 | = | 0.40 |
| Va 2 | = | |

Pressures (Energies)**Method Transducer [Va1]**

| | | |
|------|---|----------|
| Pmax | = | 2200 bar |
| PK | = | 2530 bar |
| PE | = | 2860 bar |
| M | = | |

Miscellaneous Dimensions

| | | |
|---------|---|--|
| Fe | = | |
| delta L | = | |

CHAMBER MINI**Lengths**

| | | |
|------------------|---|-------|
| L1 | = | |
| L2 | = | |
| L3 ¹⁾ | = | 66.00 |

Breech

| | | |
|-----------------|---|-------|
| R ¹⁾ | = | 1.40 |
| R1 | = | 22.50 |
| R2 | = | |
| R3 | = | |
| r | = | |

Powder Chamber

| | | |
|----|---|-------|
| E | = | |
| P1 | = | 20.65 |
| P2 | = | |

Junction Cone

| | | |
|--------|---|--|
| α | = | |
| S | = | |
| r1 max | = | |
| r2 | = | |

Collar

| | | |
|----|---|-------|
| H1 | = | |
| H2 | = | 20.35 |

Commencement of Rifling

| | | |
|-----|---|------|
| G1* | = | |
| G | = | |
| α1 | = | 180° |
| h | = | |
| s | = | |
| i | = | |
| w | = | |

Barrel

| | | |
|----|---|-------|
| F* | = | 16.00 |
| Z | = | |

Volumes [cm³]

| | | |
|-------|---|--|
| V(ET) | = | |
| V(T) | = | |

Scale 1:1.5

Dimensions in << mm >>
 Dimensions and Tolerances for Proof Barrels
 see Appendix CR 3.

Notes: 1) Check for safety reasons
 * Basic dimensions