

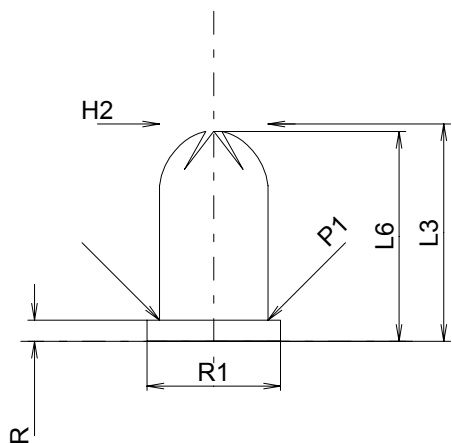
C.I.P.**22 SH (5,6/11)**

TAB. VI

Date 84-06-14

Revision 90-06-13

Country of Origin: US

**CARTRIDGE MAXI****Lengths**

L1	=	
L2	=	
L3 ¹⁾	=	11.50
L4	=	
L5	=	
L6	=	11.10

Case Head

R	=	1.12
R1	=	7.06
R3	=	
E	=	
E1	=	
e min	=	
δ	=	
f	=	
β	=	

Powder Chamber

P1	=	5.74
P2	=	

Junction Cone

α	=	
S	=	
r1 min	=	
r2	=	

Collar

H1	=	
H2 ¹⁾	=	5.74

Volumes [cm³]

VC	=	0.29
Va 1	=	0.16
Va 2	=	0.80

Pressures (Energies)**Miscellaneous Dimensions**

Fe	=	
delta L	=	

CHAMBER MINI**Lengths**

L1	=	
L2	=	
L3 ¹⁾	=	12.00

Breech

R ¹⁾	=	1.10
R1	=	7.10
R2	=	
R3	=	
r	=	

Powder Chamber

E	=	
P1	=	5.80
P2	=	

Junction Cone

α	=	
S	=	
r1 max	=	
r2	=	

Collar

H1	=	
H2	=	5.76

Commencement of Rifling

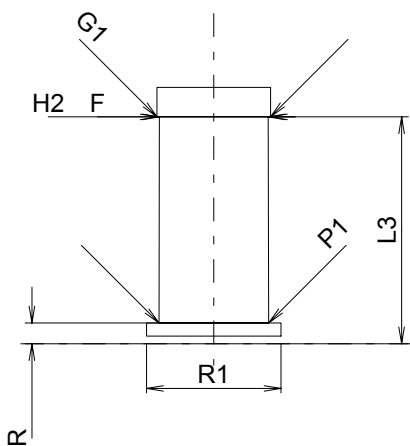
G1 [*]	=	6.00
G	=	
α1 [*]	=	180°
h	=	
s	=	
i	=	
w	=	

Barrel

F [*]	=	6.00
Z	=	6.00

Volumes [cm³]

V(ET)	=	0.33
V(T)	=	



Scale 2.5:1

Dimensions in << mm >>
Dimensions and Tolerances for Proof Barrels
see Appendix CR 3.

Notes: 1) Check for safety reasons
* Basic dimensions