

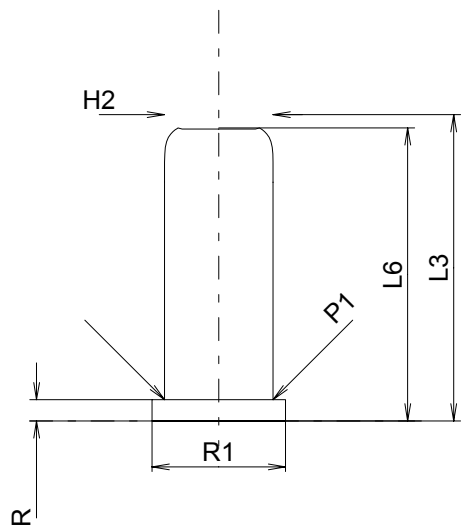
C.I.P.**22 (5,6/16)**

TAB. VI

Date 84-06-14

Revision 90-06-13

Country of Origin: US

**CARTRIDGE MAXI****Lengths**

L1	=	
L2	=	
L3 ¹⁾	=	16.20
L4	=	
L5	=	
L6	=	15.50

Case Head

R	=	1.12
R1	=	7.06
R3	=	
E	=	
E1	=	
e min	=	
δ	=	
f	=	
β	=	

Powder Chamber

P1	=	5.74
P2	=	

Junction Cone

α	=	
S	=	
r1 min	=	
r2	=	

Collar

H1	=	
H2 ¹⁾	=	5.74

Volumes [cm³]

VC	=	0.35
Va 1	=	0.16
Va 2	=	0.80

Pressures (Energies)**Method Transducer [Va1]**

Pmax	=	4300 bar
PK	=	4945 bar
PE	=	5590 bar

Method Transducer [Va2]

Pmax	=	2000 bar
PK	=	2300 bar
PE	=	2600 bar
M	=	

Miscellaneous Dimensions

Fe	=	
delta L	=	

CHAMBER MINI**Lengths**

L1	=	
L2	=	
L3 ¹⁾	=	16.33

Breech

R ¹⁾	=	1.10
R1	=	7.30
R2	=	
R3	=	
r	=	

Powder Chamber

E	=	
P1	=	5.76
P2	=	

Junction Cone

α	=	
S	=	
r1 max	=	
r2	=	

Collar

H1	=	
H2	=	5.76

Commencement of Rifling

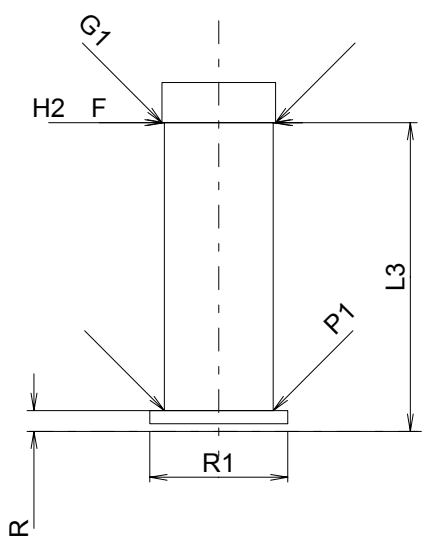
G1*	=	6.00
G	=	
α1*	=	180°
h	=	
s	=	
i	=	
w	=	

Barrel

F*	=	6.00
Z	=	6.00

Volumes [cm³]

V(ET)	=	0.44
V(T)	=	



Scale 2.5:1

Dimensions in << mm >>
 Dimensions and Tolerances for Proof Barrels
 see Appendix CR 3.

Notes: 1) Check for safety reasons
 * Basic dimensions