

**C.I.P.****10TK**

TAB.

VIII

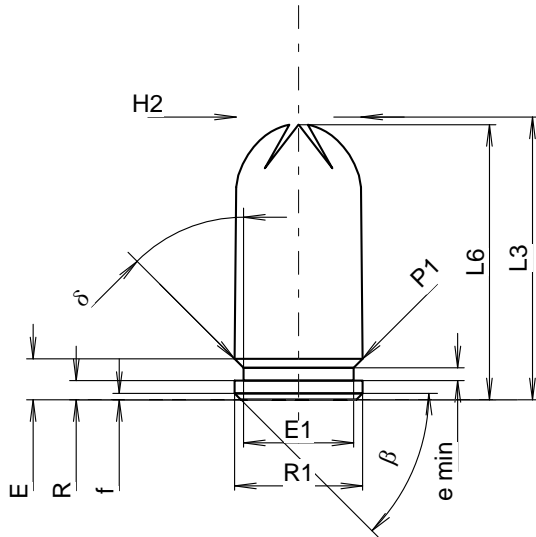
Date

16-05-18

Revision

17-05-17

Country of Origin: RU

**CARTRIDGE MAXI****Lengths**

L1	=	
L2	=	
L3 <sup>1)</sup>	=	22.10
L4	=	
L5	=	
L6 <sup>1)</sup>	=	21.50

**Case Head**

R	=	1.50
R1	=	10.00
R3	=	
E	=	3.20
E1	=	8.60
e min	=	1.00
delta	=	45°
f	=	0.50
beta	=	45°

**Powder Chamber**

P1	=	10.00
P2	=	

**Junction Cone**

alpha	=	
S	=	
r1 min	=	
r2	=	

**Collar**

H1	=	
H2 <sup>1)</sup>	=	9.76

**Projectile**

G1	=	
G2	=	
F	=	
L3+G <sup>1)</sup>	=	

**Pressures (Energies)****Method Transducer**

Pmax	=	800 bar
PK	=	920 bar
PE	=	1040 bar
M	=	8.50

**Miscellaneous Dimensions**

Fe <sup>1)</sup>	=	
delta L	=	

**CHAMBER MINI****Lengths**

L1	=	
L2	=	
L3 <sup>1)</sup>	=	17.50

**Breech**

R	=	
R1	=	10.10
R2	=	
R3	=	
r	=	

**Powder Chamber**

E	=	
P1 <sup>1)</sup>	=	10.10
P2 *	=	

**Junction Cone**

alpha <sup>1)</sup>	=	
S	=	
r1 max	=	
r2	=	

**Collar**

H1	=	
H2 <sup>1)</sup>	=	9.94

**Commencement of Rifling**

G1 <sup>2)</sup> *	=	5.50
G <sup>2)</sup>	=	
alpha 1	=	60°
h *	=	3.85
s	=	
i	=	
w	=	

**Barrel**

F <sup>2)</sup> *	=	5.50
Z	=	5.50

**Grooves**

b	=	
N	=	
u	=	
Q	=	23.76 mm <sup>2</sup>

Scale 1.69:1

Dimensions in << mm >>  
 Dimensions and Tolerances for Proof Barrels  
 see Appendix CR 5.

Notes: 1) Check for safety reasons  
 2) Valid only for Proof barrels  
 \* Basic dimensions