

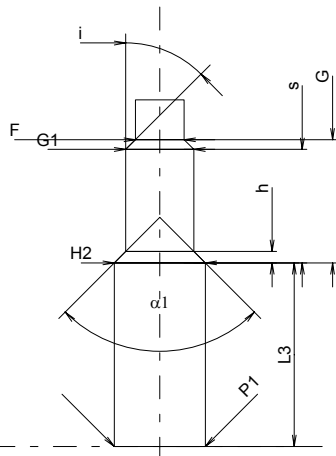
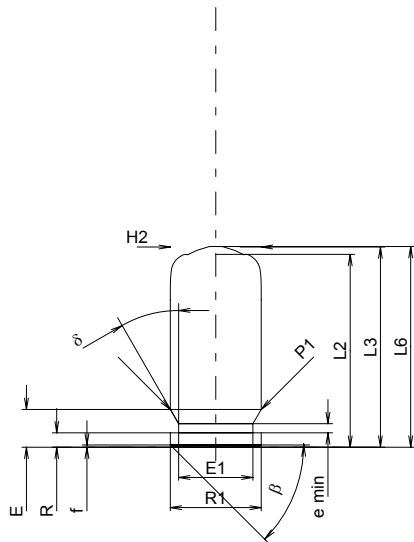
C.I.P.**315 Blanc**

TAB. VIII

Datum 91-07-29

Ursprungsland: DE

Revision 94-03-01

**PATRONE MAXI****Längen**

| | | |
|------------------|---|-------|
| L1 | = | |
| L2 * | = | 17.00 |
| L3 ¹⁾ | = | 17.65 |
| L4 | = | |
| L5 | = | |
| L6 ¹⁾ | = | 17.70 |

Hülsenboden

| | | |
|-------|---|------|
| R | = | 1.27 |
| R1 | = | 8.00 |
| R3 | = | |
| E | = | 3.33 |
| E1 | = | 6.55 |
| e min | = | 0.80 |
| delta | = | 30° |
| f | = | 0.20 |
| beta | = | 45° |

Pulverkammer

| | | |
|----|---|------|
| P1 | = | 8.00 |
| P2 | = | |

Schulterkonus

| | | |
|--------|---|--|
| alpha | = | |
| S | = | |
| r1 min | = | |
| r2 | = | |

Hülsenhals

| | | |
|------------------|---|------|
| H1 | = | |
| H2 ¹⁾ | = | 8.00 |

Geschoß

| | | |
|------|---|--|
| G1 | = | |
| G2 | = | |
| F | = | |
| L3+G | = | |

Drücke (Energien)**Mech. elektr. Wandler**

| | | |
|------|---|---------|
| Pmax | = | 450 bar |
| PK | = | 518 bar |
| PE | = | 585 bar |
| M | = | 7.00 |

Verschiedene Daten

| | | |
|---------|---|--|
| Fe | = | |
| delta L | = | |

PATRONENLAGER MINI**Längen**

| | | |
|------------------|---|-------|
| L1 | = | |
| L2 | = | |
| L3 ¹⁾ | = | 16.20 |

Stoßboden

| | | |
|----|---|--|
| R | = | |
| R1 | = | |
| R2 | = | |
| R3 | = | |
| r | = | |

Pulverkammer

| | | |
|------------------|---|------|
| E | = | |
| P1 ¹⁾ | = | 8.02 |
| P2 | = | |

Schulterkonus

| | | |
|--------|---|--|
| alpha | = | |
| S | = | |
| r1 max | = | |
| r2 | = | |

Hülsenhals

| | | |
|------------------|---|------|
| H1 | = | |
| H2 ¹⁾ | = | 8.02 |

Übergang

| | | |
|-------------------|---|-------|
| G1 ^{2)*} | = | 6.00 |
| G ^{2)*} | = | 10.85 |
| alpha1 | = | 90° |
| h | = | 1.01 |
| s * | = | 10.00 |
| i | = | 45° |
| w | = | |

Lauf

| | | |
|------------------|---|------|
| F ^{2)*} | = | 4.30 |
| Z | = | 4.30 |

Züge

| | | |
|-----------------|---|-----------------------|
| b | = | |
| N | = | |
| u | = | |
| Q ²⁾ | = | 14.52 mm ² |

Maßstab 1.5:1

Maße in << mm >>
Maße und Toleranzen für Messläufe
siehe Anhang CR 5.

Bemerkungen: 1) Kontrolle aus Sicherheitsgründen
2) Gilt nur für Messläufe
* Grundmaße