

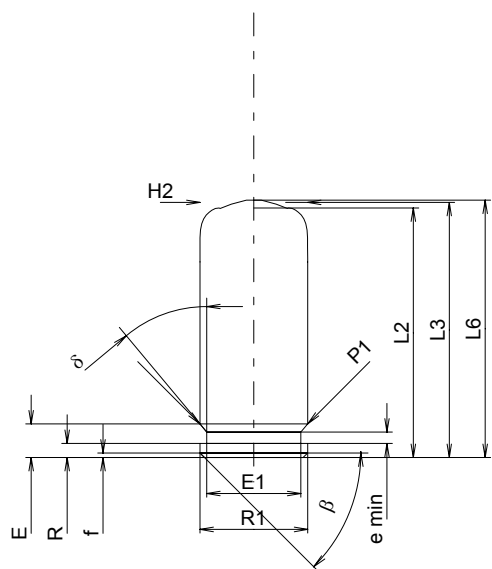
C.I.P.**9 mm PA Blanc**

TAB. VIII

Date 91-07-30

Revision 94-03-01

Country of Origin: DE

**CARTRIDGE MAXI****Lengths**

L1	=	
L2 *	=	22.00
L3 ¹⁾	=	22.50
L4	=	
L5	=	
L6 ¹⁾	=	22.70

Case Head

R	=	1.25
R1	=	9.50
R3	=	
E	=	2.97
E1	=	8.30
e min	=	1.00
delta	=	40°
f	=	0.40
beta	=	45°

Powder Chamber

P1	=	9.50
P2	=	

Junction Cone

alpha	=	
S	=	
r1 min	=	
r2	=	

Collar

H1	=	
H2 ¹⁾	=	9.50

Projectile

G1	=	
G2	=	
F	=	
L3+G	=	

Pressures (Energies)**Method Transducer**

Pmax	=	400 bar
PK	=	460 bar
PE	=	520 bar
M	=	8.50

Miscellaneous Dimensions

Fe	=	
delta L	=	

CHAMBER MINI**Lengths**

L1	=	
L2	=	
L3 ¹⁾	=	20.70

Breech

R	=	
R1	=	
R2	=	
R3	=	
r	=	

Powder Chamber

E	=	
P1 ¹⁾	=	9.55
P2	=	

Junction Cone

alpha	=	
S	=	
r1 max	=	
r2	=	

Collar

H1	=	
H2 ¹⁾	=	9.55

Commencement of Rifling

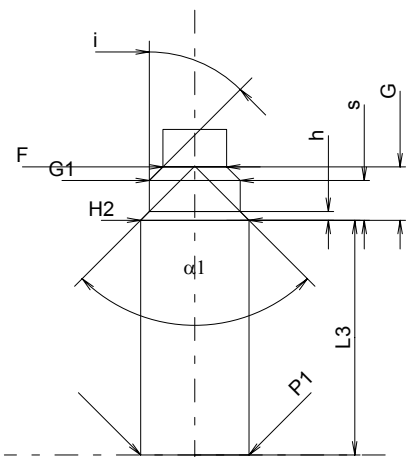
G1 ^{2)*}	=	8.00
G ^{2)*}	=	4.70
alpha 1	=	90°
h	=	0.77
s *	=	3.50
i	=	45°
w	=	

Barrel

F ^{2)*}	=	5.60
Z	=	5.60

Grooves

b	=	
N	=	
u	=	
Q ²⁾	=	24.63 mm ²



Scale 1.5:1

Dimensions in << mm >>
Dimensions and Tolerances for Proof Barrels
see Appendix CR 5.

Notes: 1) Check for safety reasons
2) Valid only for Proof Barrels
* Basic dimensions