

C.I.P.

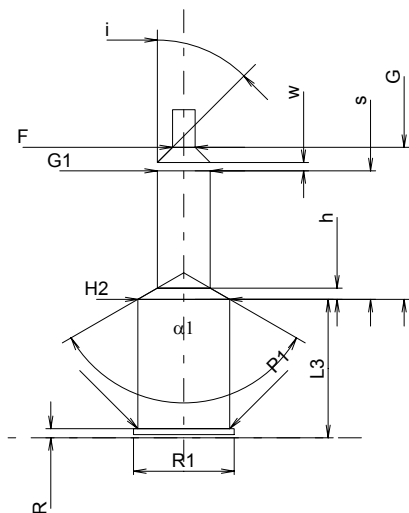
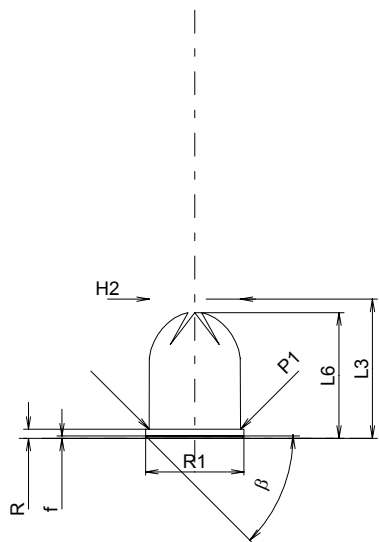
45 K Blanc

Country of Origin: DE

TAB. VIII

Date 91-08-01

Revision 94-03-01



Scale 1:1

Dimensions in << mm >>
Dimensions and Tolerances for Proof Barrels
see Appendix CR 5.

CARTRIDGE MAXI

Lengths

L1	=	
L2	=	
L3 ¹⁾	=	18.40
L4	=	
L5	=	
L6 ¹⁾	=	16.60

Case Head

R	=	1.20
R1	=	13.00
R3	=	
E	=	
E1	=	
e min	=	
delta	=	
f	=	0.30
beta	=	45°

Powder Chamber

P1	=	12.10
P2	=	

Junction Cone

alpha	=	
S	=	
r1 min	=	
r2	=	

Collar

H1	=	
H2 ¹⁾	=	12.00

Projectile

G1	=	
G2	=	
F	=	
L3+G	=	

Pressures (Energies)

Method Transducer

Pmax	=	400 bar
PK	=	460 bar
PE	=	520 bar
M	=	7.50

Miscellaneous Dimensions

Fe	=	
delta L	=	

CHAMBER MINI

Lengths

L1	=	
L2	=	
L3 ¹⁾	=	18.30

Breech

R ¹⁾	=	1.20
R1	=	13.30
R2	=	
R3	=	
r	=	

Powder Chamber

E	=	
P1 ¹⁾	=	12.15
P2	=	

Junction Cone

alpha	=	
S	=	
r1 max	=	
r2	=	

Collar

H1	=	
H2 ¹⁾	=	12.15

Commencement of Rifling

G1 ^{2)*}	=	7.00
G ^{2)*}	=	20.10
alpha 1	=	120°
h	=	1.49
s *	=	17.00
i	=	45°
w	=	1.10

Barrel

F ^{2)*}	=	3.00
Z	=	3.00

Grooves

b	=	
N	=	
u	=	
Q ²⁾	=	7.07 mm ²

Notes: 1) Check for safety reasons
2) Valid only for Proof Barrels
* Basic dimensions