

C.I.P.

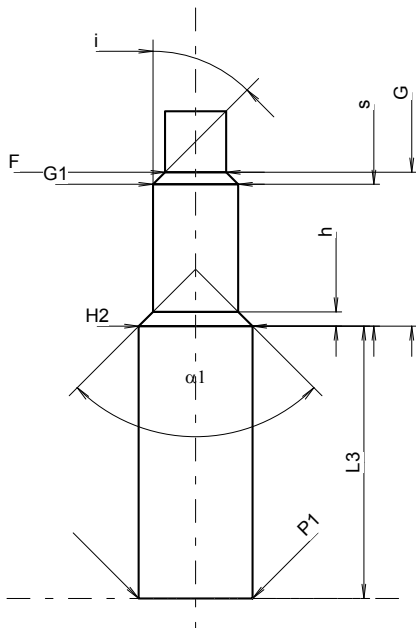
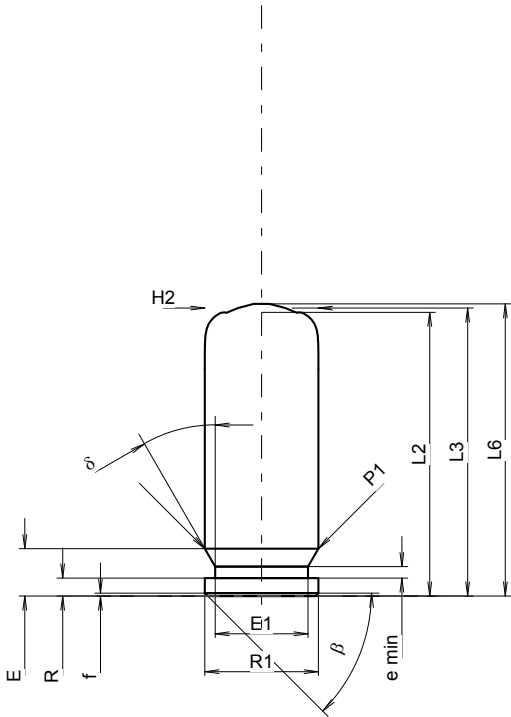
8 mm Blanc

Country of Origin: D

TAB. VIII

Date 91-07-29

Revision 08-09-23



Scale 1.88:1

CARTRIDGE MAXI

Lengths

L1 *	=	20.00
L2 *	=	20.00
L3 1)	=	20.30
L4	=	
L5	=	
L6 1)	=	20.60

Case Head

R	=	1.27
R1	=	8.00
R3	=	
E	=	3.33
E1	=	6.55
e min	=	0.80
δ	=	30°
f	=	0.20
β	=	45°

Powder Chamber

P1	=	8.00
P2	=	

Junction Cone

α	=	
S	=	
r1 min	=	
r2	=	

Collar

H1	=	
H2 1)	=	8.00

Projectile

G1	=	
G2	=	
F	=	
L1+G	=	

Pressures (Energies)

Method Transducer

Pmax	=	450 bar
PK	=	518 bar
PE	=	585 bar
M	=	7.00

Miscellaneous Dimensions

Fe	=	
delta L	=	

CHAMBER MINI

Lengths

L1	=	
L2	=	
L3 1)	=	19.20

Breech

R	=	
R1	=	
R2	=	
R3	=	
r	=	

Powder Chamber

E	=	
P1 1)	=	8.02 +0.25
P2	=	

Junction Cone

α	=	
S	=	
r1 max	=	
r2	=	

Collar

H1	=	
H2 1)	=	8.02

Commencement of Rifling

G1 2)*	=	6.00
G 2)*	=	10.85
α_1	=	90°
h	=	1.01
s *	=	10.00
i	=	45°
w	=	

Barrel

F 2)*	=	4.30
Z	=	4.30

Grooves

b	=	
N	=	
u	=	
Q 2)	=	14.52 mm ²

Notes: 1) Check for safety reasons
2) Valid only for Proof barrels
* Basic dimensions

Dimensions in << mm >>
Dimensions and Tolerances for Proof Barrels
see Appendix CR 5.