

C.I.P.

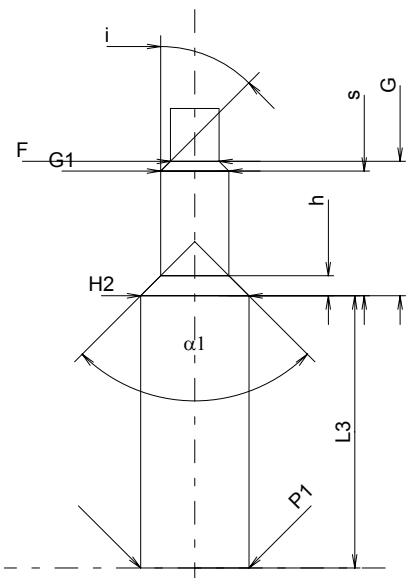
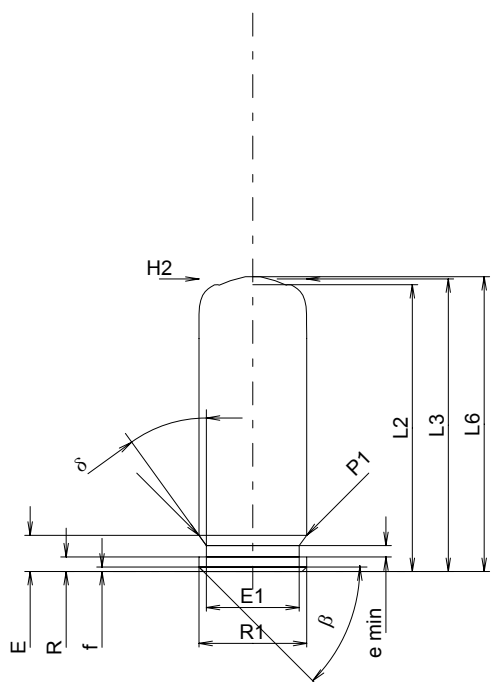
35 Blanc

Country of Origin: DE

TAB. VIII

Date 92-03-12

Revision 94-06-01



Scale 1.5:1

Dimensions in << mm >>
Dimensions and Tolerances for Proof Barrels
see Appendix CR 5.

CARTRIDGE MAXI

Lengths

L1	=	
L2 *	=	25.30
L3 ¹⁾	=	25.80
L4	=	
L5	=	
L6 ¹⁾	=	26.00

Case Head

R	=	1.30
R1	=	9.50
R3	=	
E	=	3.20
E1	=	8.20
e min	=	1.00
δ	=	40°
f	=	0.40
β	=	45°

Powder Chamber

P1	=	9.50
P2	=	

Junction Cone

α	=	
S	=	
r1 min	=	
r2	=	

Collar

H1	=	
H2 ¹⁾	=	9.50

Projectile

G1	=	
G2	=	
F	=	
L3+G	=	

Pressures (Energies)

Method Transducer

Pmax	=	450 bar
PK	=	518 bar
PE	=	585 bar
M	=	8.50

Miscellaneous Dimensions

Fe	=	
delta L	=	

CHAMBER MINI

Lengths

L1	=	
L2	=	
L3 ¹⁾	=	24.00

Breech

R	=	
R1	=	
R2	=	
R3	=	
r	=	

Powder Chamber

E	=	
P1 ¹⁾	=	9.55 +0.20
P2	=	

Junction Cone

α	=	
S	=	
r1 max	=	
r2	=	

Collar

H1	=	
H2 ¹⁾	=	9.55

Commencement of Rifling

G1 ^{2)*}	=	6.00
G ^{2)*}	=	11.85
α_1	=	90°
h	=	1.77
s *	=	11.00
i	=	45°
w	=	

Barrel

F ^{2)*}	=	4.30
Z	=	4.30

Grooves

b	=	
N	=	
u	=	
Q ²⁾	=	14.52 mm ²

Notes: 1) Check for safety reasons
2) Valid only for Proof Barrels
* Basic dimensions