

C.I.P.**4 mm Randz. court Blanc**

TAB. VIII

Date 92-03-12

Révision 92-06-10

Pays d'origine: DE

CARTOUCHE MAXI**CHAMBRE MINI****Longueurs**

| | | |
|------------------|---|------|
| L1 | = | |
| L2 | = | |
| L3 ¹⁾ | = | 6.60 |
| L4 | = | |
| L5 | = | |
| L6 ¹⁾ | = | 6.40 |

Longueurs

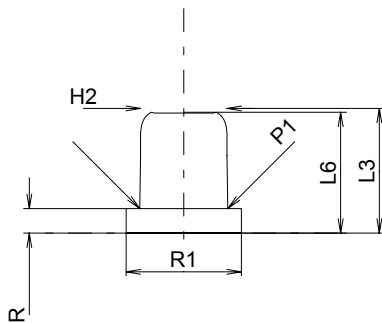
| | | |
|------------------|---|------|
| L1 | = | |
| L2 | = | |
| L3 ¹⁾ | = | 6.70 |

Culot

| | | |
|-------|---|------|
| R | = | 1.30 |
| R1 | = | 6.10 |
| R3 | = | |
| E | = | |
| E1 | = | |
| e min | = | |
| δ | = | |
| f | = | |
| β | = | |

Cuvette

| | | |
|-----------------|---|------|
| R ¹⁾ | = | 1.30 |
| R1 | = | 6.13 |
| R2 | = | |
| R3 | = | |
| r | = | |

**Chambre à poudre**

| | | |
|----|---|------|
| P1 | = | 4.65 |
| P2 | = | |

Chambre à poudre

| | | |
|------------------|---|------|
| E | = | |
| P1 ¹⁾ | = | 4.70 |
| P2 | = | |

Cône de raccordement

| | | |
|--------|---|--|
| α | = | |
| S | = | |
| r1 min | = | |
| r2 | = | |

Cône de raccordement

| | | |
|--------|---|--|
| α | = | |
| S | = | |
| r1 max | = | |
| r2 | = | |

Collet

| | | |
|------------------|---|------|
| H1 | = | |
| H2 ¹⁾ | = | 4.58 |

Collet

| | | |
|------------------|---|------|
| H1 | = | |
| H2 ¹⁾ | = | 4.58 |

Projectile

| | | |
|------|---|--|
| G1 | = | |
| G2 | = | |
| F | = | |
| L3+G | = | |

Prise de rayures

| | | |
|-------------------|---|------|
| G1 ^{2)*} | = | 6.00 |
| G | = | |
| α1 | = | 180° |
| h | = | |
| s | = | |
| i | = | |
| w | = | |

Pressions (Énergies)**Énergie**

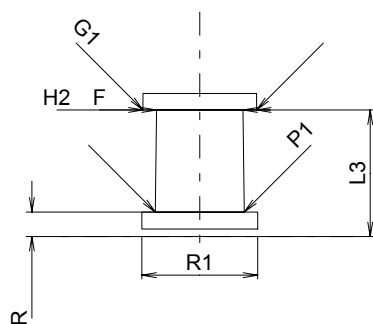
| | | |
|------------------|---|------------|
| E _{max} | = | 30.0 Joule |
| E _K | = | 32.1 Joule |
| E _E | = | 34.5 Joule |

Canon

| | | |
|------------------|---|------|
| F ^{2)*} | = | 6.00 |
| Z | = | 6.00 |

Rayures

| | | |
|-----------------|---|-----------------------|
| b | = | |
| N | = | |
| u | = | |
| Q ²⁾ | = | 28.27 mm ² |



Échelle 2.5:1

Dimensions en << mm >>
Dimensions et tolérances pour les canons
d'épreuve: Voyez Annexe CR 5.

Notes: 1) A' contrôler pour la sécurité
2) Valable uniquement pour les canons d'épreuve
* Dimensions de base