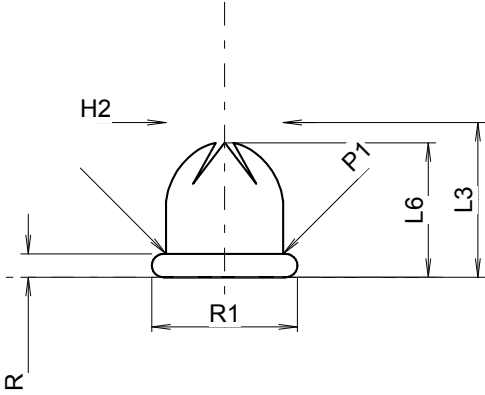


C.I.P.	6mm Flobert Blanc Pays d'origine: FR	TAB.	VIII
		Date	91-08-02
		Révision	08-04-15
	CARTOUCHE MAXI	CHAMBRE MINI	
	<p>Longueurs</p> <p>L1 =</p> <p>L2 =</p> <p>L3 ¹⁾ = 7.60</p> <p>L4 =</p> <p>L5 =</p> <p>L6 ¹⁾ = 6.60</p> <p>Culot</p> <p>R = 1.15</p> <p>R1 = 7.15</p> <p>R3 =</p> <p>E =</p> <p>E1 =</p> <p>e min =</p> <p>δ =</p> <p>f =</p> <p>β =</p> <p>Chambre à poudre</p> <p>P1 ¹⁾ = 5.75</p> <p>P2 =</p> <p>Cône de raccordement</p> <p>α =</p> <p>S =</p> <p>r1 min =</p> <p>r2 =</p> <p>Collet</p> <p>H1 =</p> <p>H2 ¹⁾ = 5.75</p> <p>Projectile</p> <p>G1 =</p> <p>G2 =</p> <p>F =</p> <p>L3+G =</p> <p>Pressions (Énergies)</p> <p>Énergie</p> <p>E_{max} = 42.0 Joule</p> <p>E_K = 44.9 Joule</p> <p>E_E = 46.2 Joule</p> <p>Autres indications</p> <p>Fe =</p> <p>delta L =</p>	<p>Longueurs</p> <p>L1 =</p> <p>L2 =</p> <p>L3 ¹⁾ = 7.80</p> <p>Cuvette</p> <p>R ¹⁾ = 1.15</p> <p>R1 = 7.30</p> <p>R2 =</p> <p>R3 =</p> <p>r =</p> <p>Chambre à poudre</p> <p>E =</p> <p>P1 ¹⁾ = 5.76</p> <p>P2 =</p> <p>Cône de raccordement</p> <p>α =</p> <p>S =</p> <p>r1 max =</p> <p>r2 =</p> <p>Collet</p> <p>H1 =</p> <p>H2 ¹⁾ = 5.76</p> <p>Prise de rayures</p> <p>G1 ²⁾* = 6.00</p> <p>G =</p> <p>α₁ = 180°</p> <p>h =</p> <p>s =</p> <p>i =</p> <p>w =</p> <p>Canon</p> <p>F ²⁾* = 6.00</p> <p>Z = 6.00</p> <p>Rayures</p> <p>b =</p> <p>N =</p> <p>u =</p> <p>Q ²⁾ = 28.27 mm²</p>	
<p>Échelle 2.69:1</p> <p>Dimensions en << mm >></p> <p>Dimensions et tolérances pour les canons d'épreuve: Voyez Annexe CR 5.</p>	<p>Notes: 1) A' contrôler pour la sécurité</p> <p>2) Valable uniquement pour les canons d' épreuve</p> <p>* Dimensions de base</p>		