

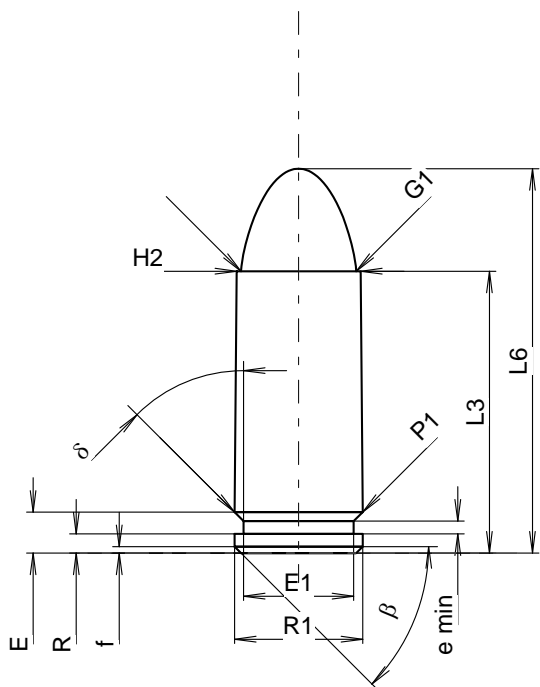
C.I.P.**345 TK**

TAB. X

Date 19-05-22

Country of Origin: RU

Revision

**CARTRIDGE MAXI****Lengths**

L1	=		
L2	=		
L3 ¹⁾	=	22.00	-0.25
L4	=		
L5	=		
L6	=	30.00	

Case Head

R	=	1.50	
R1	=	10.00	
R3	=		
E	=	3.20	
E1	=	8.60	
e min	=	1.00	
delta	=	45°	
f	=	0.50	
beta	=	45°	

Powder Chamber

P1	=	10.00	
P2	=		

Junction Cone

alpha	=		
S	=		
r1 min	=		
r2	=		

Collar

H1	=		
H2 ¹⁾	=	9.67	

Projectile

G1 ^{1)*}	=	9.00	
G2	=		
F	=		
L3+G ¹⁾	=	27.80	

Pressures (Energies)**Method Transducer**

Pmax	=	2800 bar	
PK	=	3220 bar	
PE	=	3640 bar	
M	=	12.50	

Miscellaneous Dimensions

Fe ⁶⁾	=	0.30	
delta L	=		

CHAMBER MINI**Lengths**

L1	=		
L2	=		
L3 ¹⁾	=	22.00	

Breech

R	=		
R1	=	10.08	
R2	=		
R3	=		
r	=		

Powder Chamber

E	=	3.30	
P1 ¹⁾	=	10.05	
P2	=		

Junction Cone

alpha	=		
S	=		
r1 max	=		
r2	=		

Collar

H1	=		
H2 ¹⁾	=	9.69	

Commencement of Rifling

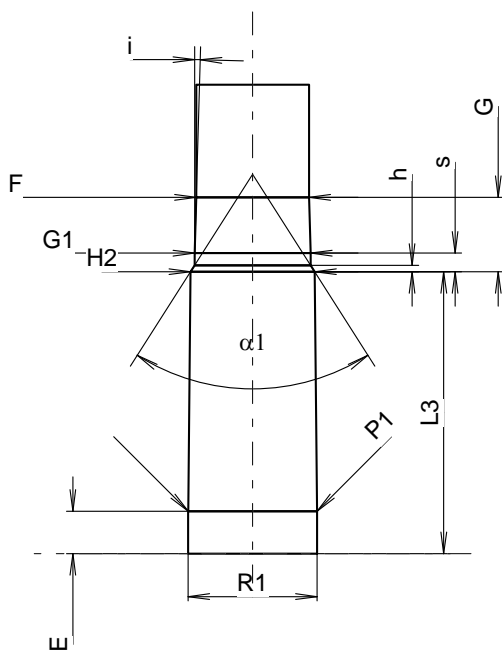
G1 ^{1)*}	=	9.05	
G ¹⁾	=	5.80	
alpha1	=	65°	
h	=	0.50	
s *	=	1.45	
i ^{1)*}	=	1°38'46"	
w	=		

Barrel

F ^{1)*}	=	8.80	
Z ¹⁾	=	8.80	

Grooves

b	=		
N	=		
u	=		
Q	=	60.82	mm ²



Scale 1.7:1

Dimensions in << mm >>
 Dimensions and Tolerances for Proof Barrels
 see Appendix CR1.

Notes: 1) Check for safety reasons
 6) Headspace on Case Mouth
 * Basic dimensions