

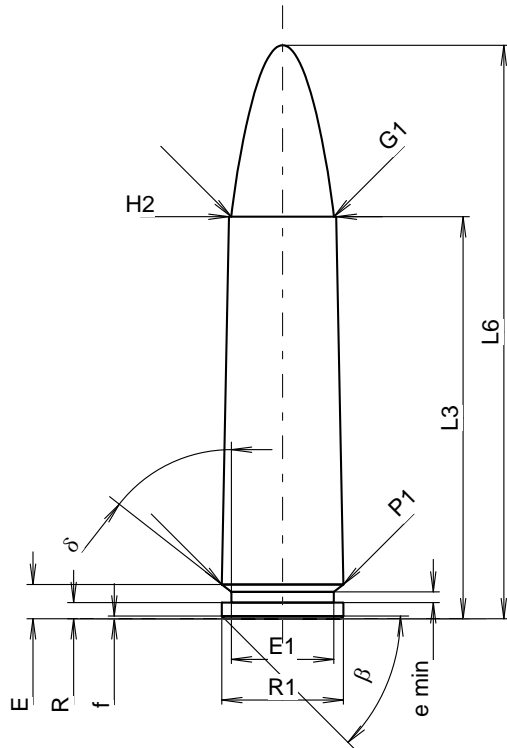
C.I.P.**366 TKM**

TAB. X

Date 16-05-18

Country of Origin: RU

Revision

**CARTRIDGE MAXI****Lengths**

L1	=		
L2	=		
L3 ¹⁾	=	37.50	-0.25
L4	=		
L5	=		
L6	=	53.50	

Case Head

R	=	1.50	
R1	=	11.35	
R3	=		
E	=	3.20	
E1	=	9.56	
e min	=	1.00	
delta	=	51°58'12"	
f	=	0.25	
beta	=	45°	

Powder Chamber

P1	=	11.35	
P2	=		

Junction Cone

alpha	=		
S	=		
r1 min	=		
r2	=		

Collar

H1	=		
H2 ¹⁾	=	10.00	

Projectile

G1 ¹⁾	=	9.58	
G2	=		
F	=		
L3+G ¹⁾	=	41.50	

Pressures (Energies)**Method Transducer**

Pmax	=	3300 bar	
PK	=	3795 bar	
PE	=	4290 bar	
M	=	25.00	

Miscellaneous Dimensions

Fe ¹⁾⁶⁾	=	0.15	
delta L	=		

CHAMBER MINI**Lengths**

L1	=		
L2	=		
L3 ¹⁾	=	37.55	

Breech

R	=		
R1	=	11.38	
R2	=		
R3	=		
r	=		

Powder Chamber

E	=	3.20	
P1 ¹⁾	=	11.37	
P2	=		

Junction Cone

alpha	=		
S	=		
r1 max	=		
r2	=		

Collar

H1	=		
H2 ¹⁾	=	10.02	

Commencement of Rifling

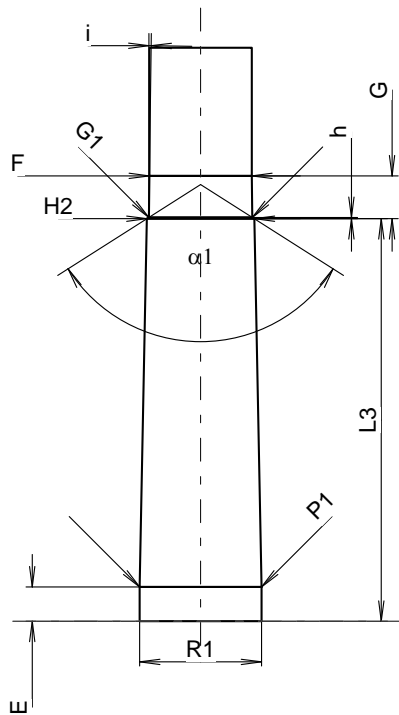
G1 ¹⁾ *	=	9.65	
G ¹⁾	=	4.00	
alpha1	=	115°	
h*	=	0.12	
s	=		
i ¹⁾ *	=	0°44'18"	
w	=		

Barrel

F ¹⁾ *	=	9.55	
Z	=	9.55	

Grooves

b	=		
N	=		
u	=		
Q	=	71.63	mm ²



Scale 1.42:1

Dimensions in << mm >>
Dimensions and Tolerances for Proof Barrels
see Appendix CR 1.

Notes: 1) Check for safety reasons
6) Headspace on Case Mouth
* Basic dimensions